

# ROHS REACH

日期版次	日期	变更内容	核 准
REVISION	DATE	DESCRIPTION	APPROVALBY

## SPECIFICATIONS

备注 (Remark)

### 1. 材料 (MATERIAL)

胶芯: PA6T+30%G. F UL94V-0, 颜色: 黑色

Housing: PA6T+30%G. F UL94V-0, Color: Black

端子: 磷/青铜, 镍底30u"MIN, 表面镀金1u"MIN

Contact: Phosphor bronze, 1u"min Gold Plating Over All  
30u"min Nickel Underplating Over All

### 2. 特性 (characteristics):

额定电流: 1 AMP

Rating Current: 1 AMP

接触阻抗: 20MΩ MAX

Contact Resistance: 20mΩ Max

绝缘阻抗: 1000MΩ MIN

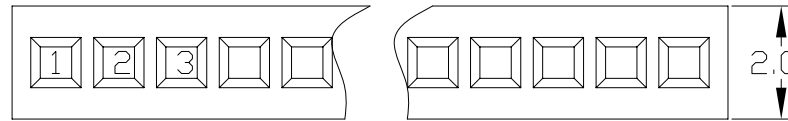
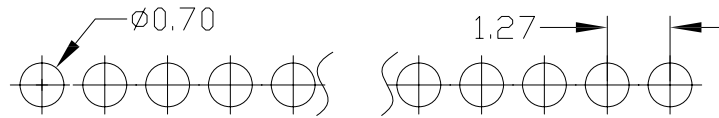
Insulation Resistance: 1000MΩ Min

耐电压: AC 500V

Withstand Voltage: 500V AC/DC

温度范围: -40°C to +105°C

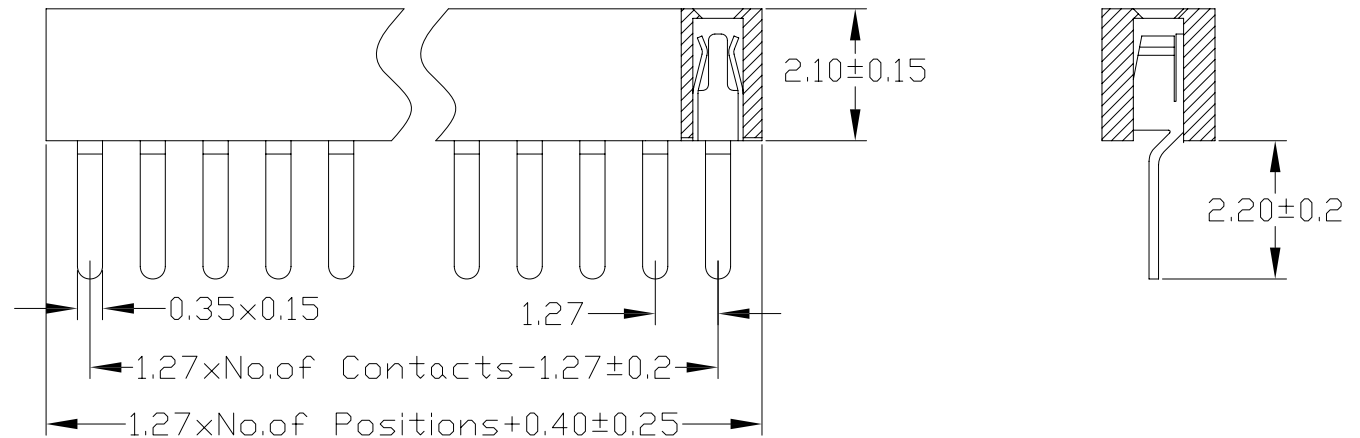
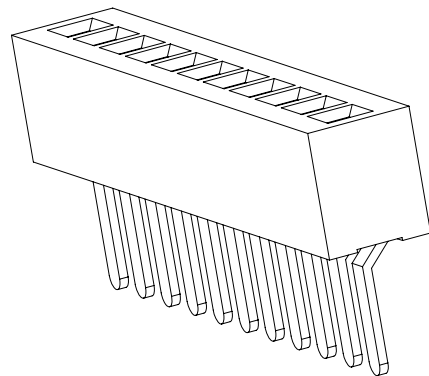
Operation Temperature: -40°C to +105°C



## Ordering Information

F1270V-11 XX XX X 21 X 1

No. of Pins Per Row 1-50	Contact Plating Full of Gold	Semi-gold	Insulation Material	HEIGHT OF HOUSING 2±2.1mm	Packing
A0=0.8U'	B0=0.8U'	B0=1.5U'	B: PA6T		A=PE Bag
A1=1U'	B0=1U'	B0=3U'	C: PA9T		B=Tape&Reel
A2=1.5U'	B0=1.5U'	B0=5U'	D: LCP		C=Tube
A3=2U'	B0=2U'	B0=10U'			D=Tube+Cap
A4=3U'	B0=3U'	B0=15U'			E=Tray
A5=5U'	B0=5U'	B0=20U'			
A6=10U'	B0=10U'	B0=30U'			
A7=15U'	B0=15U'				
A8=20U'	B0=20U'				
A9=30U'	B0=30U'				
	S1=Ordinary Tin Plated				
	S2=Matte Tin Plated				
	S3=Tin-platde High-temperature				



				MATERIAL:	GENERAL TOLERANCE		东莞市轩盟电子科技有限公司 DONGGUAN YSTZ ELECTRONIC TECHNOLOGY CO.,LTD PART NO: F1270V-11XXXXX21X1 TITLE: 1.27MM 排母 塑高2.1 180°U型
REV: A	APPROVE	CHECK	DRAWN	UNIT: MM	X. ±0.30	X.* ±2*	
SHEET: 1/1	FENG	ZENG	LIJIAN	SCALE: 3:1	X.X ±0.25	X.X* ±1*	
				SIZE: A4	X.XX ±0.15		