

# ROHS REACH

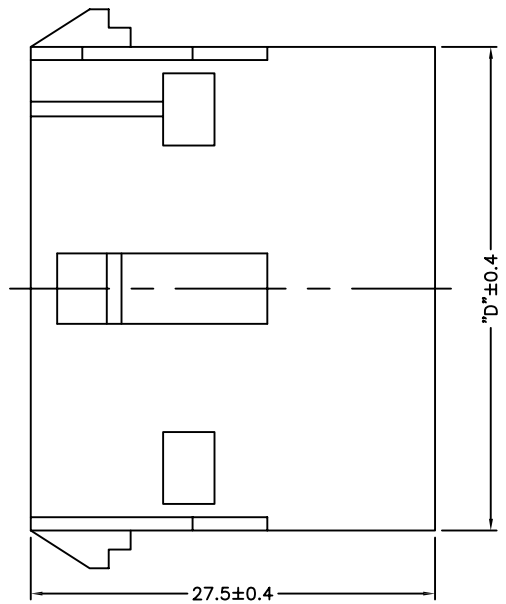
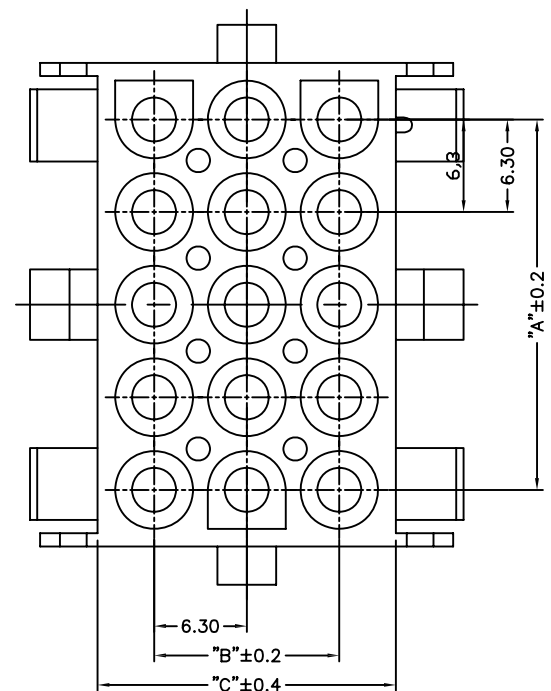
日期版次 REVISION	日期 DATE	变更内容 DESCRIPTION	核 准 APPROVALBY

### SPECIFICATIONS

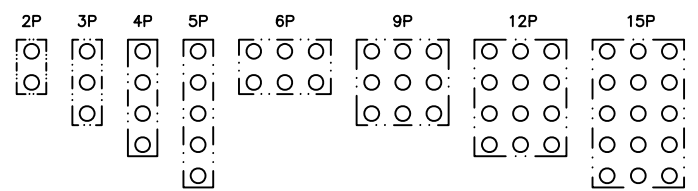
- Voltage rating: 600V DC/AC (rms)
- Current rating: 10.0A
- Withstand voltage: 50000V AC(rms)
- Working Temperature: -25℃ +85℃
- Insulation resistance: ≥1000MΩ
- Contact resistance: ≤10MΩ

### HOUSING

- PART NO: C6300HF
- MATERIAL: NYLON66 94V -2
- COLOR: WHITE
- USE WITH:  
Terminal: C6300TM



poles	part no.	dimensions (mm)			
		A	B	C	B
2	C6300HF-2P	6.30	/	7.60	14.00
3	C6300HF-3P	12.60	/	7.60	20.30
4	C6300HF-4P	18.90	/	7.60	26.60
5	C6300HF-5P	25.20	/	7.60	32.90
6	C6300HF-6P	6.30	12.60	20.30	14.00
9	C6300HF-9P	12.60	12.60	20.30	20.30
12	C6300HF-12P	18.90	12.60	20.30	26.60
15	C6300HF-15P	25.20	12.60	20.30	32.90



2P~15P孔位排样图

REV: A	APPROVE	CHECK	DRAWN
SHEET: 1/1	FENG	ZENG	LIJIAN

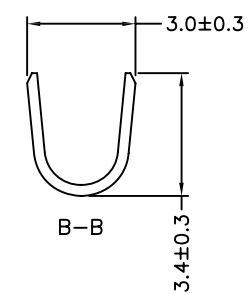
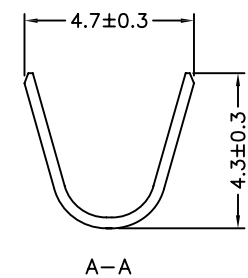
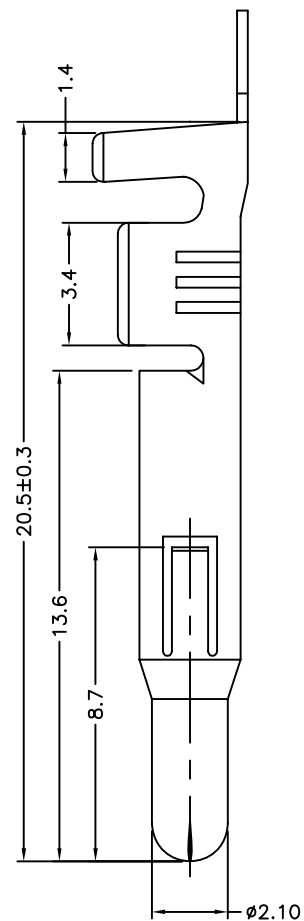
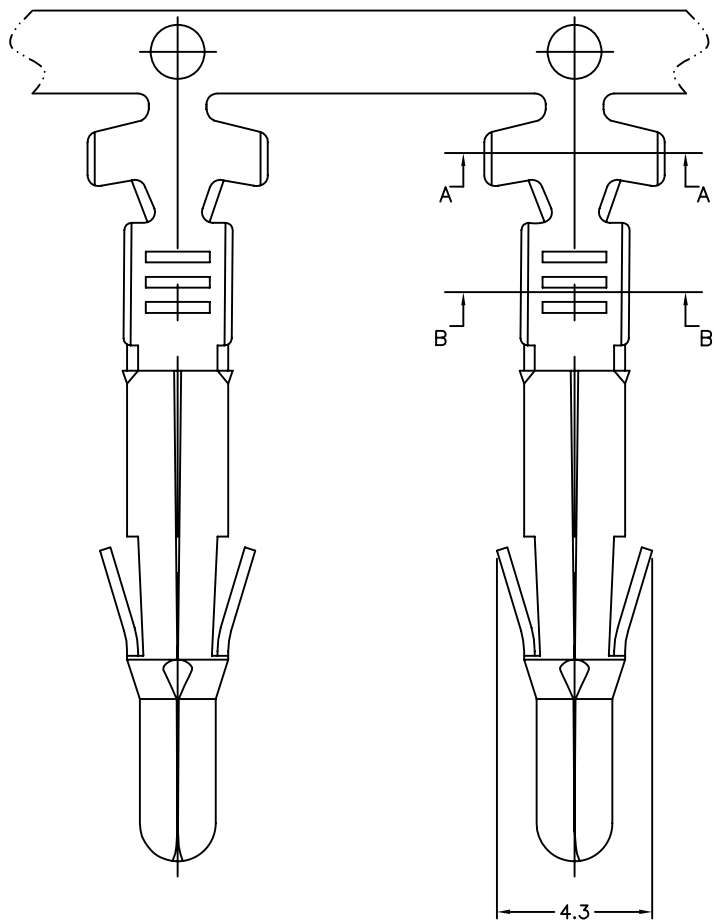
MATERIAL:	GENERAL TOLERANCE	
UNIT: MM	X. ±0.30	X.* ±2°
SCALE: 3:1	X.X ±0.25	X.X* ±1°
SIZE: A4	X.XX ±0.15	⊥ ⊕

**YSTZ** 东莞市轩盟电子科技有限公司  
DONGGUAN YSTZ ELECTRONIC TECHNOLOGY CO.,LTD

PART NO: C6300HF-NP-10E-04  
TITLE: AMP6.30mm Pitch Female Housing

ROHS REACH

日期版次 REVISION	日期 DATE	变更内容 DESCRIPTION	核 准 APPROVALBY



SPECIFICATIONS

- Voltage rating: 600V DC/AC (rms)
- Current rating: 10.0A
- Withstand voltage: 5000V AC(rms)
- Working Temperature: -25°C +85°C
- Insulation resistance: ≥1000MΩ
- Contact resistance: ≤10mΩ

TERMINAL

- PART NO: C6300TM
- MATERIAL: PHOSPHOR BRONZE
- FINISH: TIN-PLATED
- APPLICABLE WIRE: AWG#14-#24
- USE WITH: Housing: C6300HF

REV: A	APPROVE	CHECK	DRAWN
SHEET: 1/1	FENG	ZENG	LIJIAN

MATERIAL:	GENERAL TOLERANCE	
UNIT: MM	X. ±0.30	X.* ±2°
SCALE: 3:1	X.X ±0.25	X.X* ±1°
SIZE: A4	X.XX ±0.15	⊥ ⊕

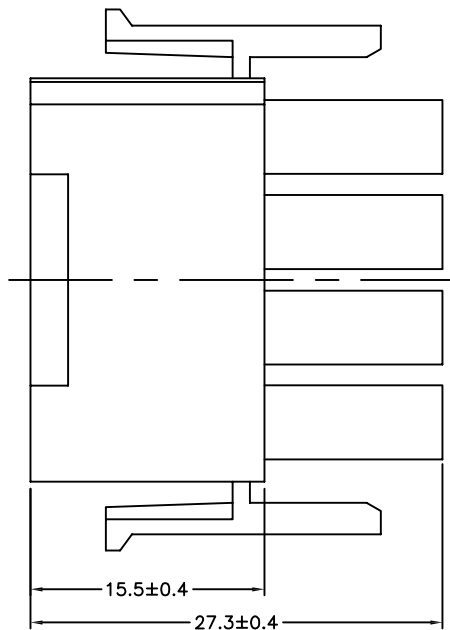
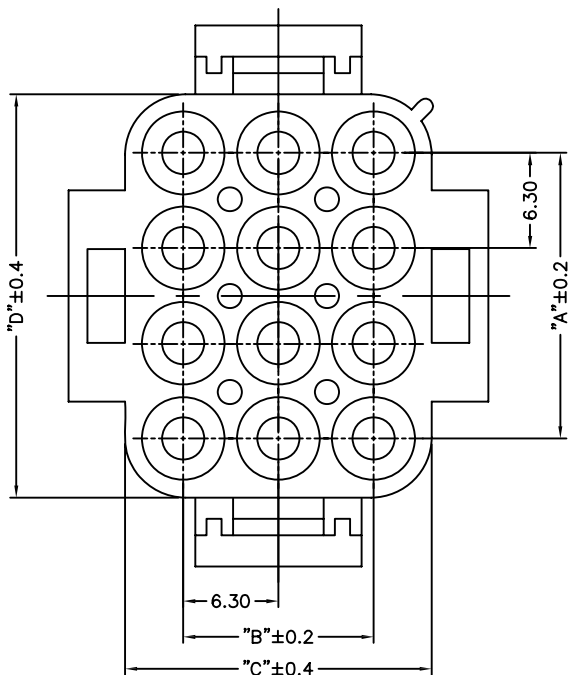
**YSTZ 东莞市轩盟电子科技有限公司**  
DONGGUAN YSTZ ELECTRONIC TECHNOLOGY CO.,LTD

PART NO: C6300TM-PC-1E-04

TITLE : AMP6.30mm Pitch Male Terminal

ROHS REACH

日期版次	日期	变更内容	核 准
REVISION	DATE	DESCRIPTION	APPROVALBY



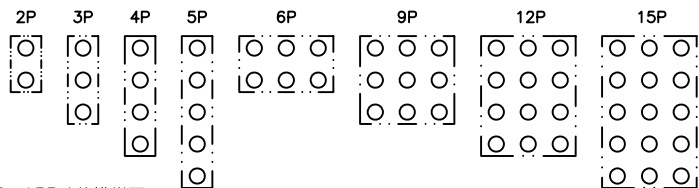
SPECIFICATIONS

- Voltage rating: 600V DC/AC (rms)
- Current rating: 10.0A
- Withstand voltage: 5000V AC(rms)
- Working Temperature: -25℃ +85℃
- Insulation resistance: ≥1000MΩ
- Contact resistance: ≤10MΩ

HOUSING

- PART NO: C3600HM
- MATERIAL: NYLON66 94 V-2
- COLOR: WHITE
- USE WITH:  
Terminal: C6300TM

poles	part no.	dimensions (mm)			
		A	B	C	B
2	C6300HM-2P	6.30	/	7.60	14.00
3	C6300HM-3P	12.60	/	7.60	20.30
4	C6300HM-4P	18.90	/	7.60	26.60
5	C6300HM-5P	25.20	/	7.60	32.90
6	C6300HM-6P	6.30	12.60	20.30	14.00
9	C6300HM-9P	12.60	12.60	20.30	20.30
12	C6300HM-12P	18.90	12.60	20.30	26.60
15	C6300HM-15P	25.20	12.60	20.30	32.90



2P~15P孔位排样图

REV: A	APPROVE	CHECK	DRAWN
SHEET: 1/1	FENG	ZENG	LIJIAN

MATERIAL:	GENERAL TOLERANCE	
UNIT: MM	X. ±0.30	X.* ±2°
SCALE: 3:1	X.X ±0.25	X.X* ±1°
SIZE: A4	X.XX ±0.15	⊕ ⊖

**YSTZ** 东莞市轩盟电子科技有限公司  
DONGGUAN YSTZ ELECTRONIC TECHNOLOGY CO.,LTD

PART NO: C6300HM-NP-10E-04

TITLE : AMP6.30mm Pitch Male Housing

ROHS REACH

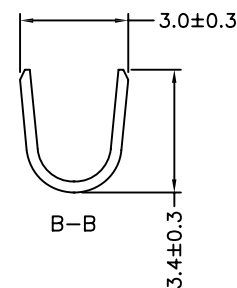
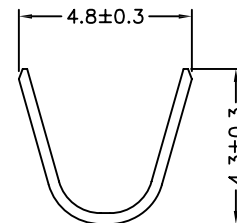
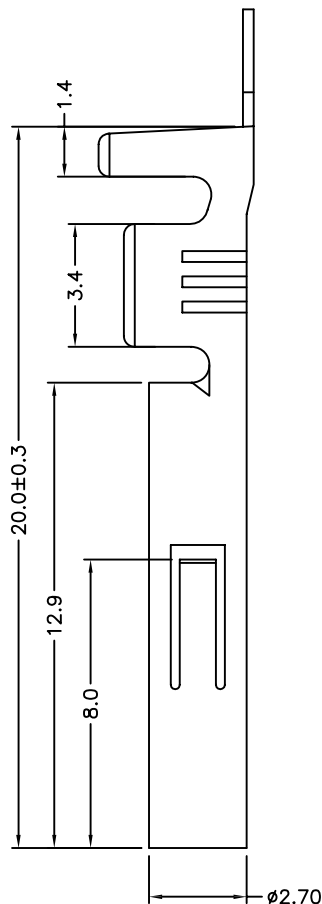
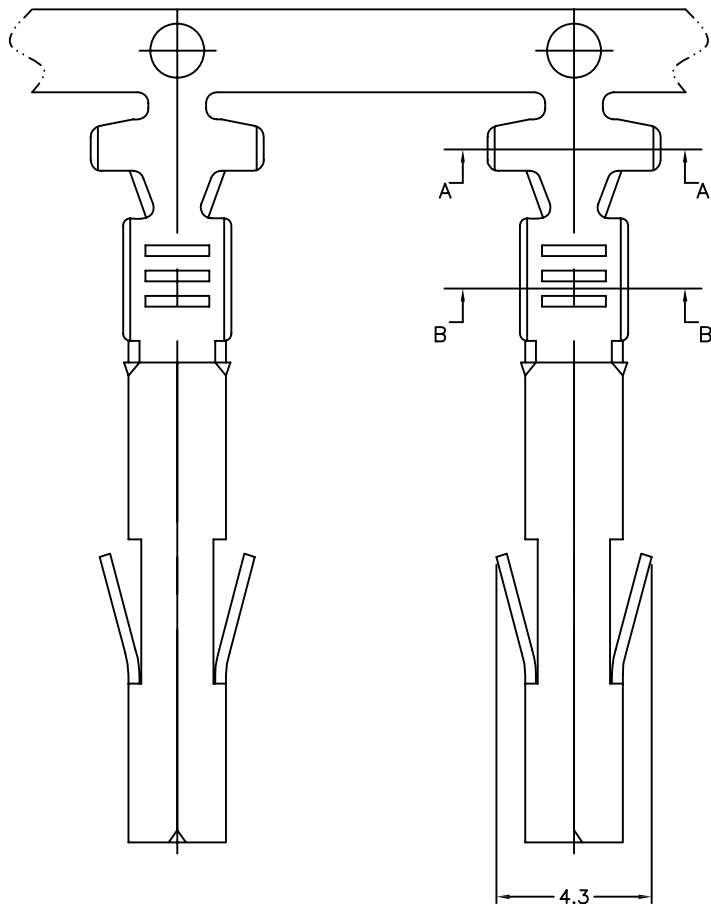
日期版次	日期	变更内容	核 准
REVISION	DATE	DESCRIPTION	APPROVAL BY

SPECIFICATIONS

- Voltage rating: 600V DC/AC (rms)
- Current rating: 10.0A
- Withstand voltage: 5000V AC(rms)
- Working Temperature: -25℃ +85℃
- Insulation resistance: ≥1000MΩ
- Contact resistance: ≤10mΩ

TERMINAL

- PART NO: C6300TM
- MATERIAL: PHOSPHOR BRONZE
- FINISH: TIN--PLATED
- APPLICABLE WIRE: AWG#14-#24
- USE WITH: Housing: C6300HF



REV: A	APPROVE	CHECK	DRAWN
SHEET: 1/1	FENG	ZENG	LIJIAN

MATERIAL:	GENERAL TOLERANCE	
UNIT: MM	X. ±0.30	X.* ±2°
SCALE: 3:1	X.X ±0.25	X.X* ±1°
SIZE: A4	X.XX ±0.15	⊥ ⊕

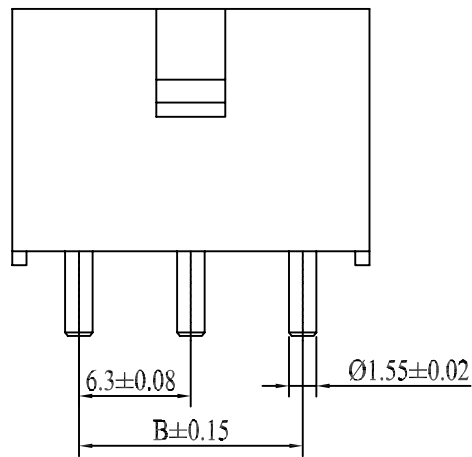
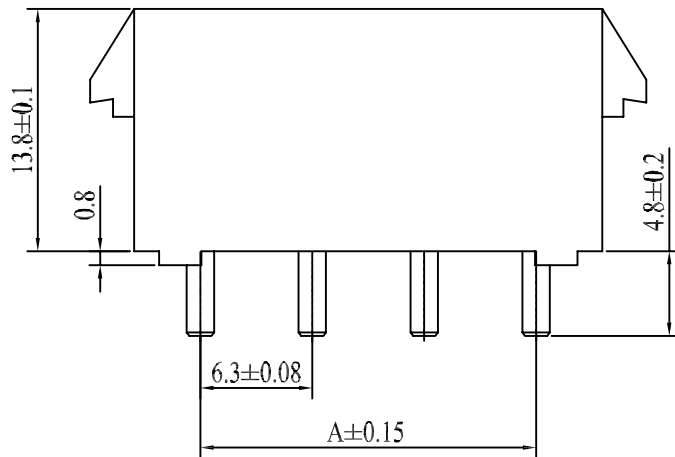
**YSTZ** 东莞市轩盟电子科技有限公司  
DONGGUAN YSTZ ELECTRONIC TECHNOLOGY CO.,LTD

PART NO: C6300TF-PC-1E-04

TITLE : AMP6.30mm Pitch Male Terminal

ROHS REACH

日期版次	日期	变更内容	核 准
REVISION	DATE	DESCRIPTION	APPROVALBY

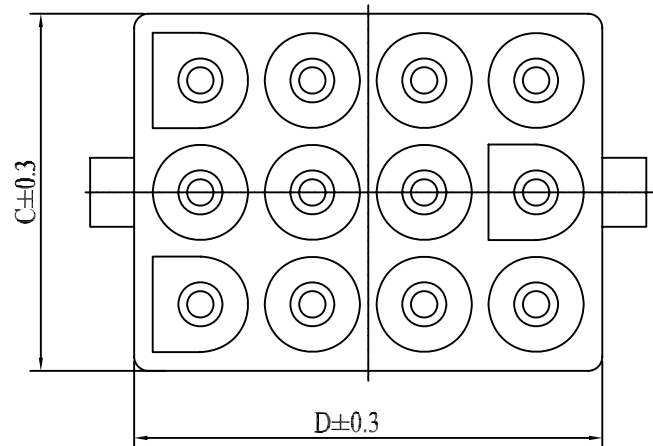


SPECIFICATIONS

- Voltage rating: 600V DC/AC (rms)
- Current rating: 10.0A
- Withstand voltage: 5000V AC(rms)
- Working Temperature: -25℃ +85℃
- Insulation resistance: ≥1000MΩ
- Contact resistance: ≤10MΩ

WAFER

- PART NO: C6300V
- MATERIAL: NYLON66 94 V-2
- PIN: BRASS



poles	part no.	dimensions (mm)			
		A	B	C	B
2	C6300V-2P	6.30	0	7.60	14.00
3	C6300V-3P	12.60	0	7.60	20.30
4	C6300V-4P	6.3(18.9)	6.3(0)	14(7.6)	14(26.6)
5	C6300V-5P	25.20	0	7.60	32.90
6	C6300V-6P	12.60	6.30	1.00	20.30
9	C6300V-9P	12.60	12.60	20.30	20.30
12	C6300V-12P	18.90	12.60	20.30	26.60
15	C6300V-15P	18.90	18.90	26.60	32.90

REV: A	APPROVE	CHECK	DRAWN
SHEET:1/1	FENG	ZENG	LIJIAN

MATERIAL:	GENERAL TOLERANCE	
UNIT: MM	X. ±0.30	X.* ±2°
SCALE: 3:1	X.X ±0.25	X.X* ±1°
SIZE: A4	X.XX ±0.15	⊥ ⊕

**YSTZ** 东莞市轩盟电子科技有限公司  
 DONGGUAN YSTZ ELECTRONIC TECHNOLOGY CO.,LTD  
 PART NO: C6300V-NP-10E-04  
 TITLE : AMP6.30mm Pitch WAFER