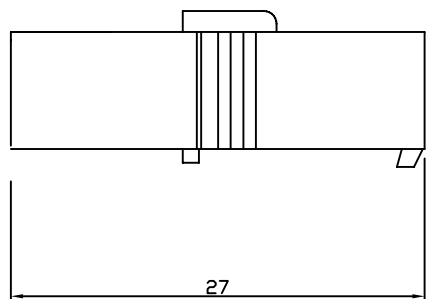
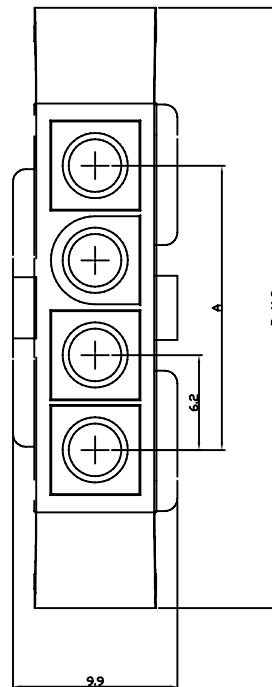
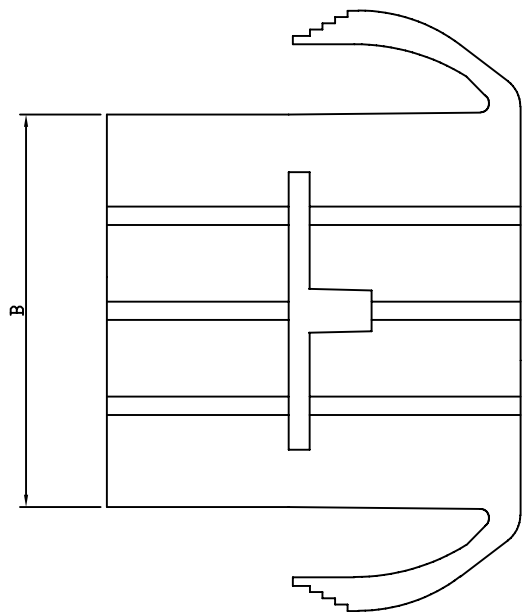


ROHS REACH

日期版次 REVISION	日期 DATE	变更内容 DESCRIPTION	核 准 APPROVALBY



SPECIFICATIONS

- Voltage rating: 250V DC/AC (rms)
- Current rating: 5.0A
- Withstand voltage: 1000V AC(rms)
- Working Temperature: -25℃ +85℃
- Insulation resistance: ≥1000MΩ
- Contact resistance: ≤10MΩ

HOUSING

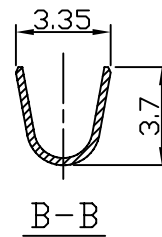
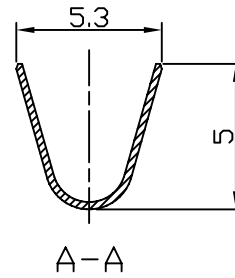
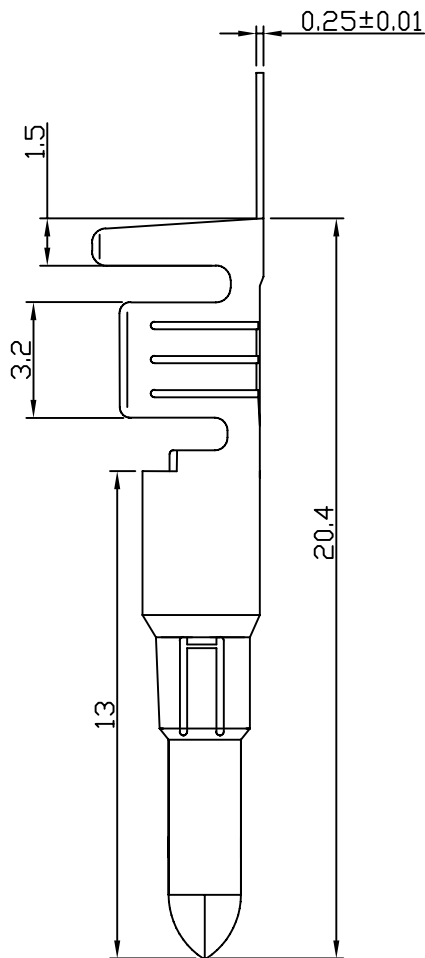
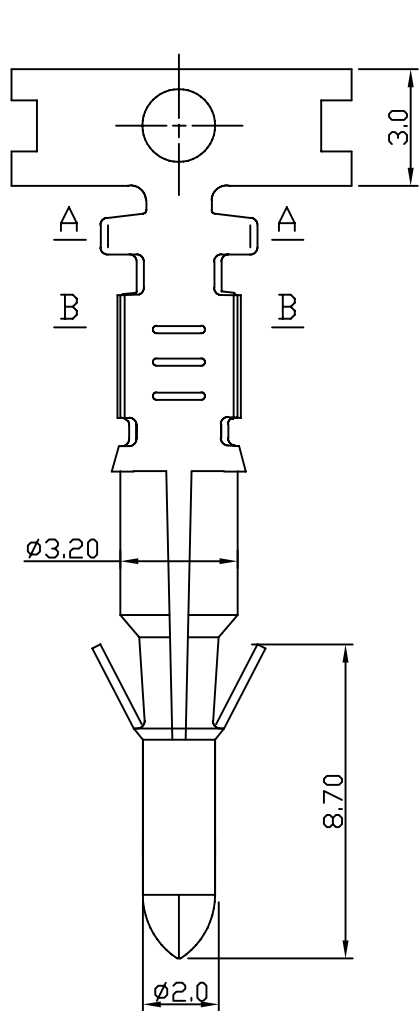
- PART NO: C6201HF
- MATERIAL: NYLON66 94V-0/V-2
- COLOR: WHITE
- USE WITH:  
Terminal: C6201TM
- Q'TY: 1000PCS/BAG

poles	part no.	dimensions (mm)	
		A	B
2	C6201HF-2P	6.20	13.20
3	C6201HF-3P	12.40	19.40
4	C6201HF-4P	18.60	25.60

REV: A	APPROVE	CHECK	DRAWN	MATERIAL:	GENERAL TOLERANCE		东莞市轩盟电子科技有限公司 DONGGUAN YSTZ ELECTRONIC TECHNOLOGY CO.,LTD
	FENG	ZENG	LIJIAN	UNIT: MM	X. ±0.30	X.* ±2°	
				SCALE: 3:1	X.X ±0.25	X.X* ±1°	
SHEET: 1/1				SIZE: A4	X.XX ±0.15		PART NO: C6201HF-NP-10E-06
						TITLE: EL6.20mm Pitch Female Housing	

ROHS REACH

日期版次 REVISION	日期 DATE	变更内容 DESCRIPTION	核 准 APPROVALBY



SPECIFICATIONS

- Voltage rating: 250V DC/AC (rms)
- Current rating: 5.0A
- Withstand voltage: 1000V AC(rms)
- Working Temperature: -25℃+85℃
- Insulation resistance: ≥1000MΩ
- Contact resistance: ≤10mΩ

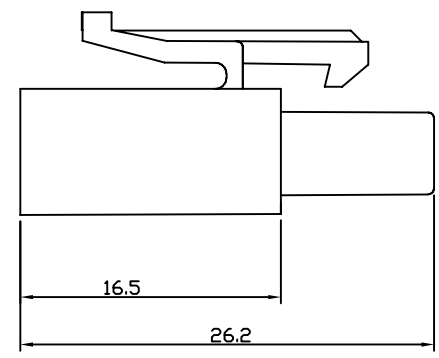
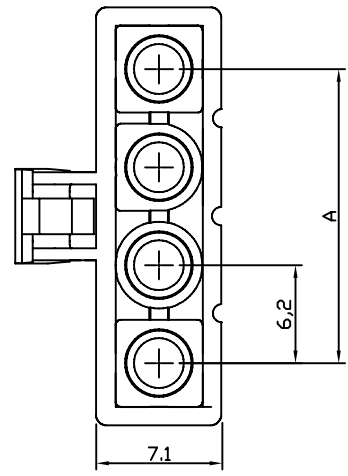
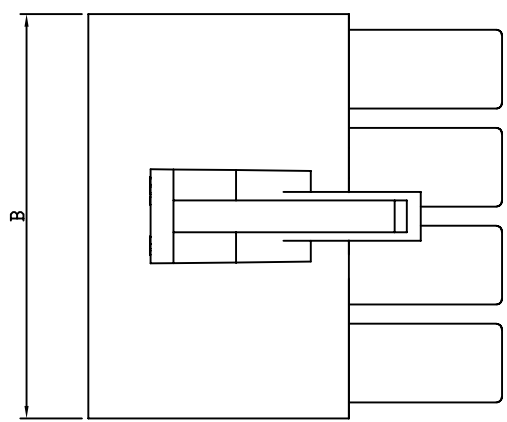
TERMINAL

- PART NO: C6201TM
- THICKNESS: 0.25MM
- MATERIAL: PHOSPHOR BRONZE
- FINISH: TIN-PLATED
- APPLICABLE WIRE: AWG#20-#26
- USE WITH: Housing: C6201HF
- Q'TY: 3000PCS/REEL

REV: A	APPROVE	CHECK	DRAWN	MATERIAL:	GENERAL TOLERANCE		东莞市轩盟电子科技有限公司 DONGGUAN YSTZ ELECTRONIC TECHNOLOGY CO.,LTD
	FENG	ZENG	LIJIAN	UNIT: MM	X. ±0.30	X.* ±2°	
SHEET: 1/1				SCALE: 3:1	X.X ±0.25	X.X* ±1°	PART NO: C6201TM-PC-1E-06
				SIZE: A4	X.XX ±0.15		TITLE: EL6.20mm Pitch Male Terminal

ROHS REACH

日期版次	日期	变更内容	核 准
REVISION	DATE	DESCRIPTION	APPROVALBY



SPECIFICATIONS

- Voltage rating: 250V DC/AC (rms)
- Current rating: 5.0A
- Withstand voltage: 1000V AC(rms)
- Working Temperature: -25℃ +85℃
- Insulation resistance: ≥1000MΩ
- Contact resistance: ≤10MΩ

HOUSING

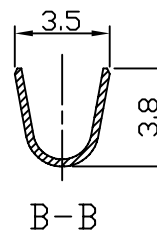
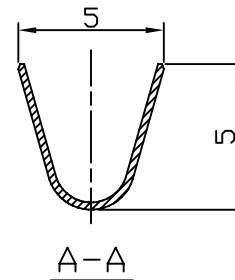
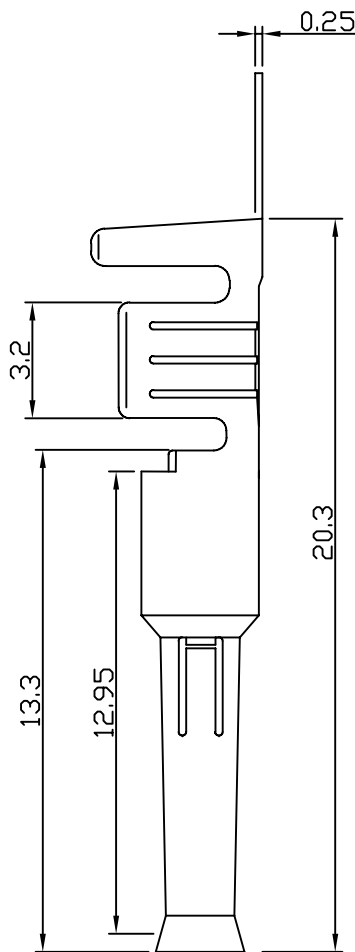
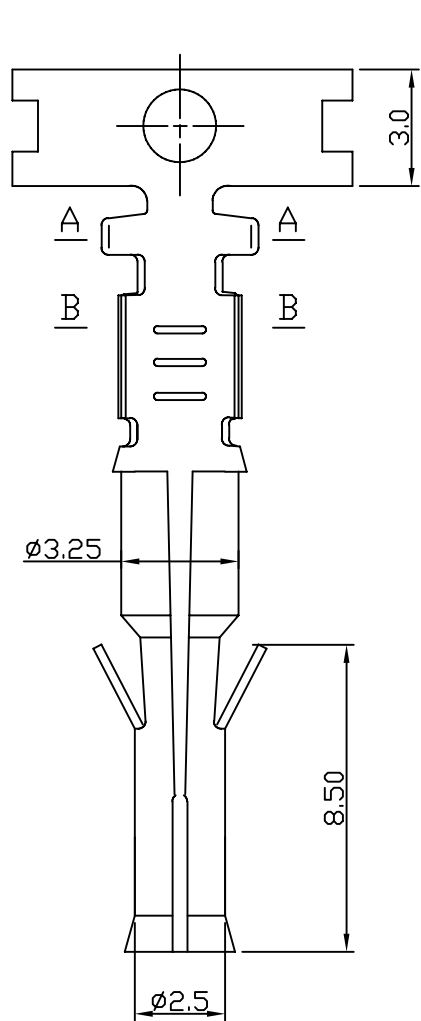
- PART NO: C6201HM
- MATERIAL: NYLON66 94V-0/V-2
- COLOR: WHITE
- USE WITH:  
Terminal: C6201TM
- Q'TY: 1000PCS/BAG

poles	part no.	dimensions (mm)	
		A	B
2	C6201HM-2P	6.20	13.20
3	C6201HM-3P	12.40	19.40
4	C6201HM-4P	18.60	25.60

REV: A	APPROVE	CHECK	DRAWN	MATERIAL:	GENERAL TOLERANCE		东莞市轩盟电子科技有限公司 DONGGUAN YSTZ ELECTRONIC TECHNOLOGY CO.,LTD
	FENG	ZENG	LIJIAN	UNIT: MM	X. ±0.30	X.* ±2°	
				SCALE: 3:1	X.X ±0.25	X.X* ±1°	
SHEET: 1/1				SIZE: A4	X.XX ±0.15		PART NO: C6201HM-NP-10E-06
						TITLE: EL6.20mm Pitch Male Housing	

ROHS REACH

日期版次	日期	变更内容	核 准
REVISION	DATE	DESCRIPTION	APPROVALBY



SPECIFICATIONS

- Voltage rating: 250V DC/AC (rms)
- Current rating: 5.0A
- Withstand voltage: 1000V AC(rms)
- Working Temperature: -25℃+85℃
- Insulation resistance: ≥1000MΩ
- Contact resistance: ≤10mΩ

TERMINAL

- PART NO: C6201TF
- THICKNESS: 0.25MM
- MATERIAL: PHOSPHOR BRONZE
- FINISH: TIN--PLATED
- APPLICABLE WIRE: AWG#20-#26
- USE WITH: Housing: C6201HM
- Q'TY: 3000PCS/REEL

REV: A	APPROVE	CHECK	DRAWN	MATERIAL:	GENERAL TOLERANCE		东莞市轩盟电子科技有限公司 DONGGUAN YSTZ ELECTRONIC TECHNOLOGY CO.,LTD
	FENG	ZENG	LIJIAN	UNIT: MM	X. ±0.30	X.* ±2*	
	SHEET: 1/1			SCALE: 3:1	X.X ±0.25	X.X* ±1*	
				SIZE: A4	X.XX ±0.15		PART NO: C6201TF-PC-1E-06
							TITLE: EL6.20mm Pitch Female Terminal