

# ROHS REACH

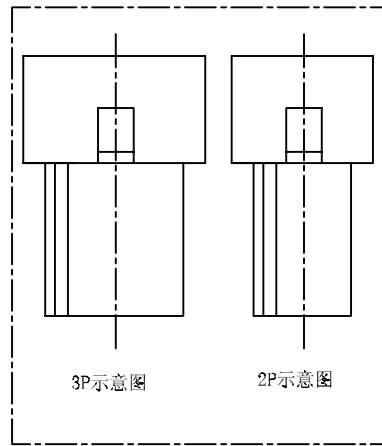
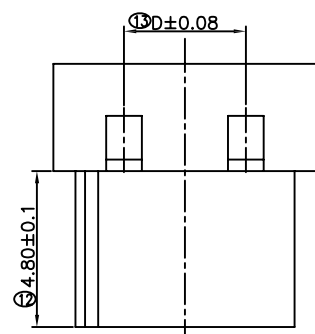
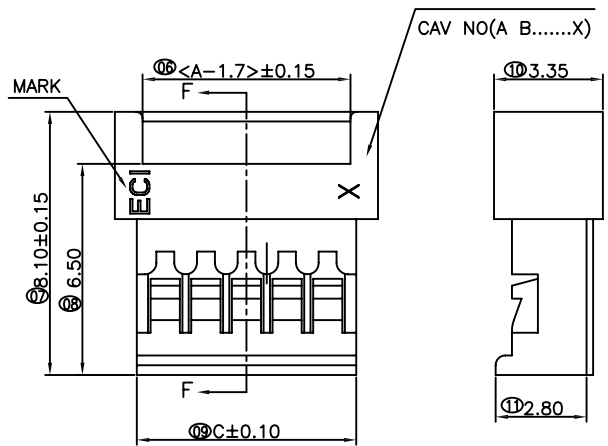
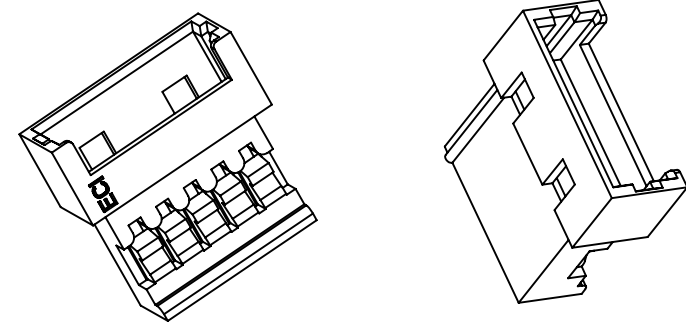
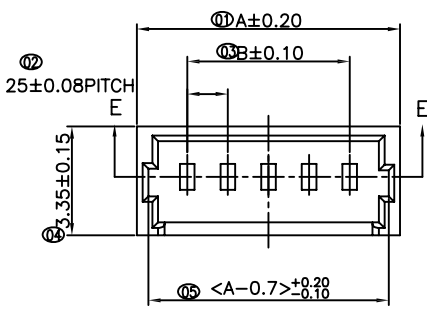
日期版次 REVISION	日期 DATE	变更内容 DESCRIPTION	核 准 APPROVALBY

### SPECIFICATIONS

- Voltage rating: 125V DC/AC (rms)
- Current rating: 1.0A
- Withstand voltage: 500V AC(rms)
- Working Temperature: -25°C +85°C
- Insulation resistance: ≥500MΩ
- Contact resistance: ≤20MΩ

### HOUSING

- PART NO: C1259H
- MATERIAL: NYLON66 94V-0
- COLOR: NATURAL(WHITE)
- USE WITH:  
Terminal: C1259T
- Q'TY: 1000PCS/BAG



poles	part no.	dimensions (mm)			
		B	B	C	D
2	C1250H-2P	4.25	1.25	3.00	/
3	C1250H-3P	5.50	2.50	4.25	/
4	C1250H-4P	6.75	3.75	5.50	2.50
5	C1250H-5P	8.00	5.00	6.75	3.75
6	C1250H-6P	9.25	6.25	8.00	5.00
7	C1250H-7P	10.50	7.50	9.25	6.25
8	C1250H-8P	11.75	8.75	10.50	7.50
9	C1250H-9P	13.00	10.00	11.75	8.75
10	C1250H-10P	14.25	11.25	13.00	10.00

MATERIAL: PA66UL94-V0	GENERAL TOLERANCE	
UNIT: MM	X. ±0.30	X.* ±2*
SCALE: 3:1	X.X ±0.25	X.X* ±1*
SIZE: A4	X.XX ±0.15	⊕ ⊖

**YSTZ** 东莞市轩盟电子科技有限公司  
DONGGUAN YSTZ ELECTRONIC TECHNOLOGY CO.,LTD

REV: A	APPROVE	CHECK	DRAWN
SHEET:1/1	FENG	ZENG	LIJIAN

PART NO: C1259H-NP-10E-01  
TITLE : MX1.25MM PITCH Female HOUSING

ROHS REACH

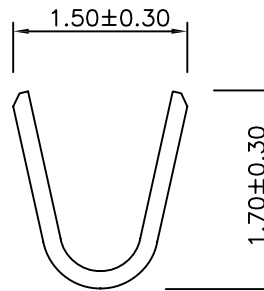
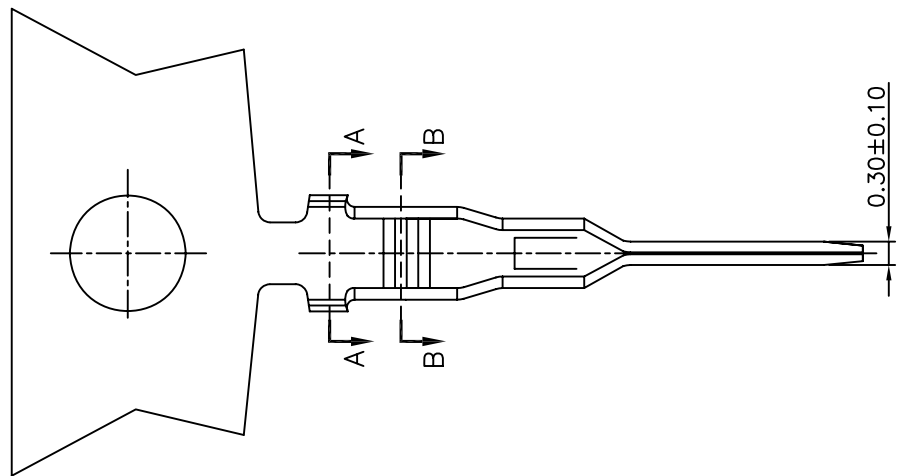
日期版次	日期	变更内容	核准
REVISION	DATE	DESCRIPTION	APPROVALBY

SPECIFICATIONS

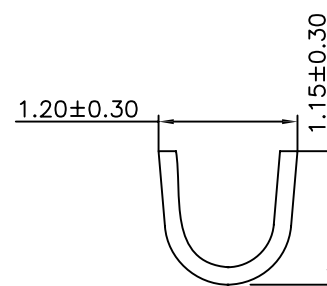
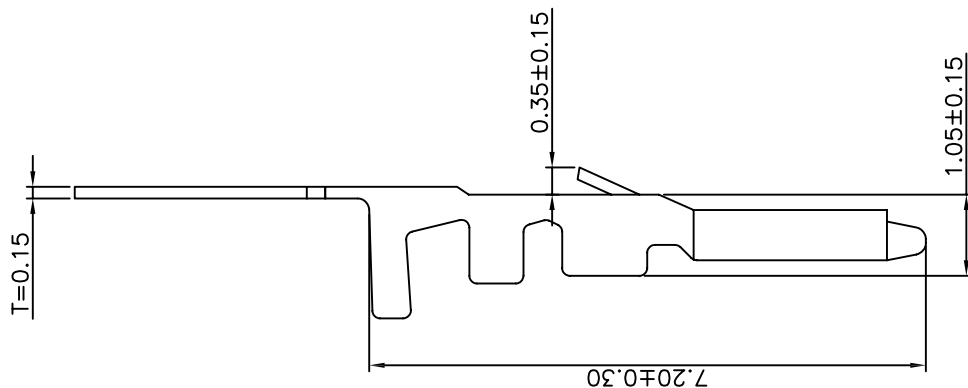
- Voltage rating: 125V DC/AC (rms)
- Current rating: 1.0A
- Withstand voltage: 500V AC(rms)
- Working Temperature: -25°C +85°C
- Insulation resistance: ≥500MΩ
- Contact resistance: ≤20mΩ

TERMINAL

- PART NO: C1259T
- THICKNESS: 0.15MM
- MATERIAL: PHOSPHOR BRONZE
- FINISH: TIN-PLATED
- APPLICABLE WIRE: AWG#28-#32
- USE WITH: Housing: C1259H
- Q'TY: 15000PCS/REEL



SECTION:A-A



SECTION:B-B

				MATERIAL:	GENERAL TOLERANCE		东莞市轩盟电子科技有限公司 DONGGUAN YSTZ ELECTRONIC TECHNOLOGY CO.,LTD PART NO: C1259T-PC-1E-01 TITLE : MX1.25mm Pitch Male Terminal
REV: A	APPROVE	CHECK	DRAWN	UNIT: MM	X. ±0.30	X.* ±2°	
SHEET: 1/1	FENG	ZENG	LIJIAN	SCALE: 3:1	X.X ±0.25	X.X* ±1°	
				SIZE: A4	X.XX ±0.15		