

ROHS REACH

日期版次	日期	变更内容	核 准
REVISION	DATE	DESCRIPTION	APPROVALBY

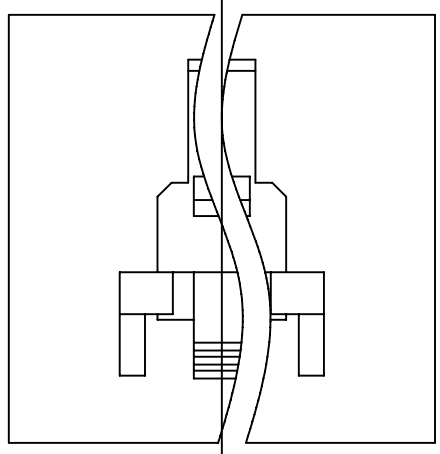
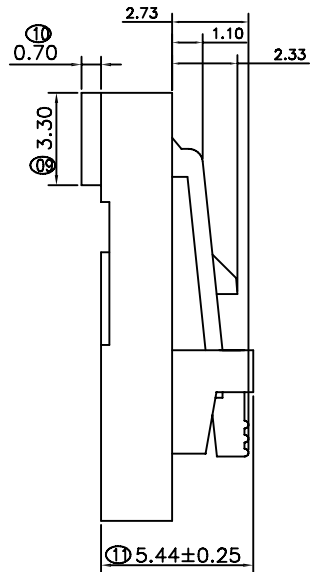
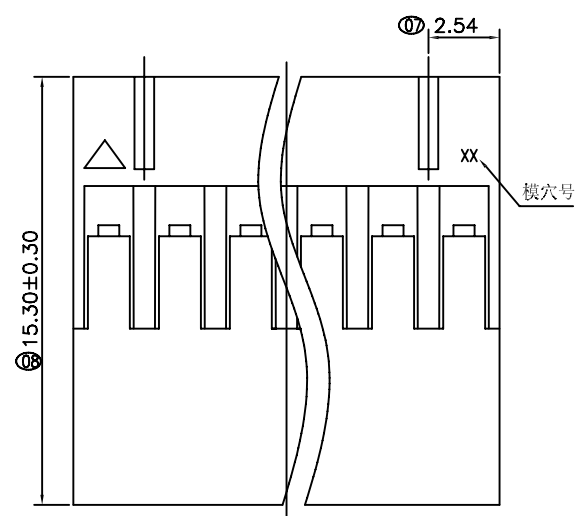
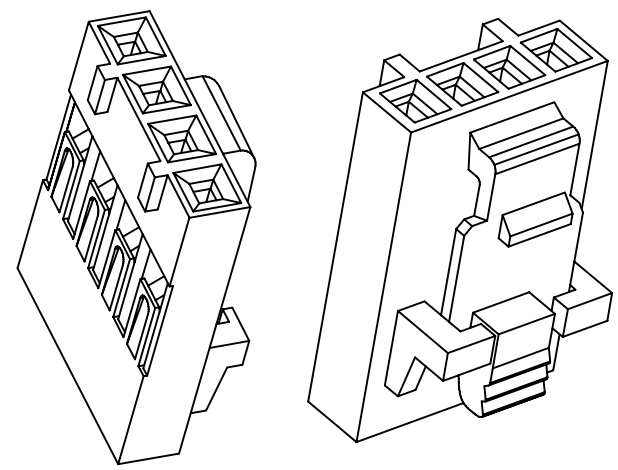
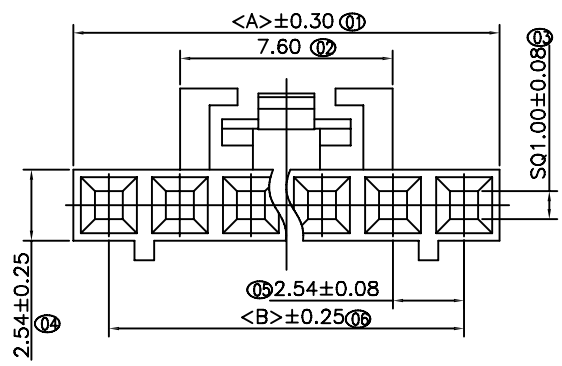
SPECIFICATIONS

- Voltage rating: 250V DC/AC (rms)
- Current rating: 3.0A
- Withstand voltage: 800V AC(rms)
- Working Temperature: -25°C +85°C
- Insulation resistance: ≥1000MΩ
- Contact resistance: ≤20MΩ

HOUSING

- PART NO: A2541H
- MATERIAL: PBT+15%GF 94V-0
- COLOR: BLACK
- USE WITH:
 - Terminal: A2541T
 - Wafer: A2541R A2541V
- Q'TY: 1000PCS/BAG

poles	part no.	dimensions (mm)	
		A	B
4	A2541H-4P	10.16	7.62
5	A2541H-5P	12.70	10.16
6	A2541H-6P	15.24	12.70
7	A2541H-7P	17.78	15.24
8	A2541H-8P	20.32	17.78
9	A2541H-9P	22.86	20.32
10	A2541H-10P	25.40	22.86
11	A2541H-11P	27.94	25.40
12	A2541H-12P	30.48	27.94



REV: A	APPROVE	CHECK	DRAWN
SHEET: 1/1	FENG	ZENG	LIJIAN

MATERIAL:	GENERAL TOLERANCE	
UNIT: MM	X. ±0.30	X.* ±2°
SCALE: 3:1	X.X ±0.25	X.X* ±1°
SIZE: A4	X.XX ±0.15	⊥ ⊕

YSTZ 东莞市轩盟电子科技有限公司
DONGGUAN YSTZ ELECTRONIC TECHNOLOGY CO.,LTD

PART NO: A2541H-NP-10D-01

TITLE: 2.54mm Pitch Housing 带勾

ROHS REACH

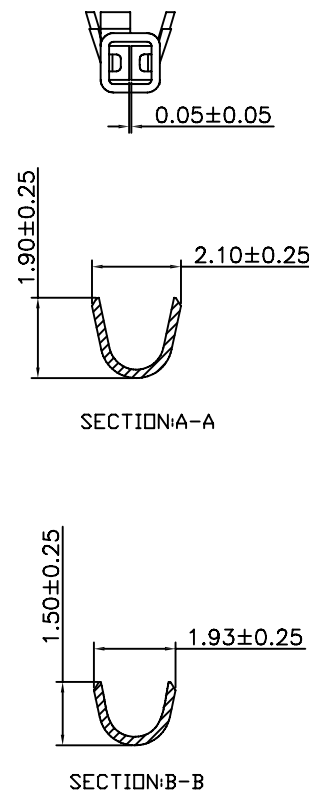
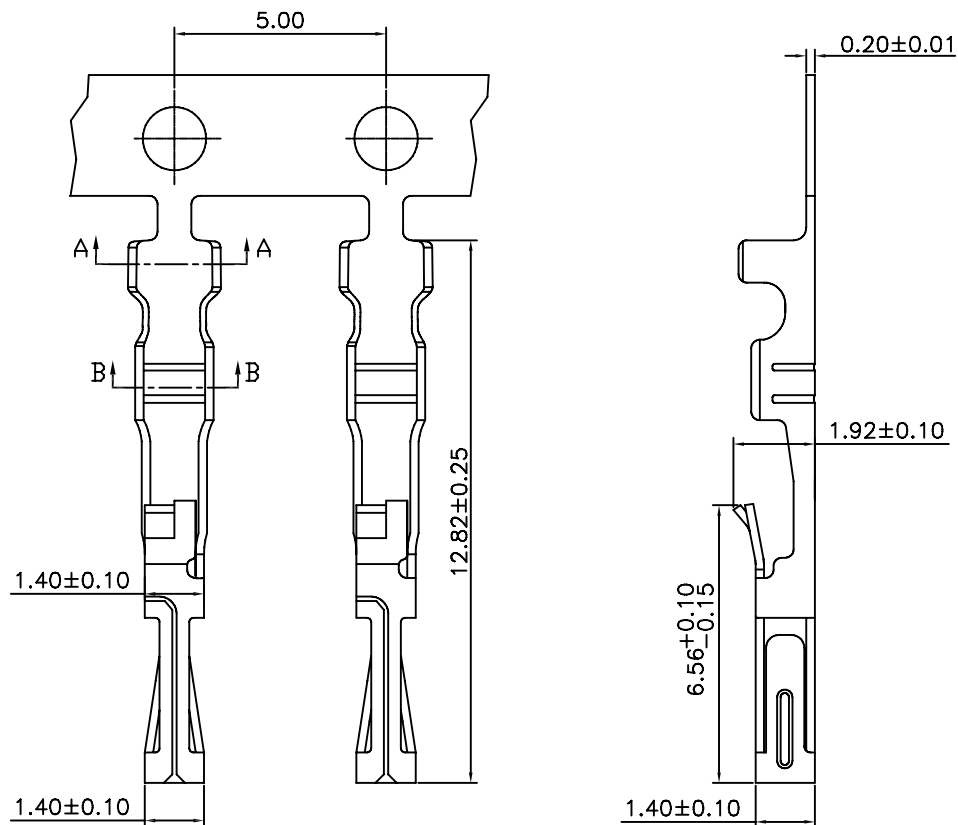
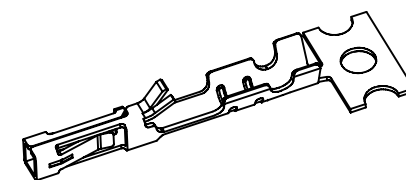
日期版次	日期	变更内容	核 准
REVISION	DATE	DESCRIPTION	APPROVALBY

SPECIFICATIONS

- Voltage rating: 250V DC/AC (rms)
- Current rating: 3.0A
- Withstand voltage: 1500V AC(rms)
- Working Temperature: -25°C +85°C
- Insulation resistance: ≥1000MΩ
- Contact resistance: ≤20mΩ

TERMINAL

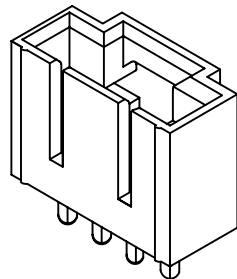
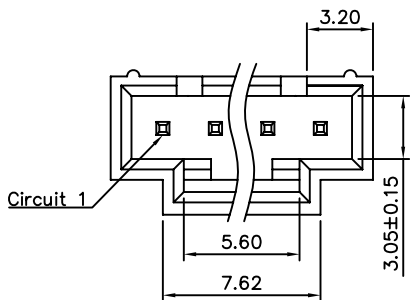
- PART NO: A2541T
- THICKNESS: 0.20MM
- MATERIAL: PHOSPHOR BRONZE
- FINISH: TIN-PLATED
- APPLICABLE WIRE: AWG#28-#22
- USE WITH: Housing: A2541H



REV: A	APPROVE	CHECK	DRAWN	MATERIAL:	GENERAL TOLERANCE		东莞市轩盟电子科技有限公司 DONGGUAN YSTZ ELECTRONIC TECHNOLOGY CO.,LTD
	FENG	ZENG	LIJIAN	UNIT: MM	X. ±0.30	X.* ±2*	
SHEET: 1/1				SCALE: 3:1	X.X ±0.25	X.X* ±1*	PART NO: A2541T-PC-1E-01
				SIZE: A4	X.XX ±0.15		TITLE: MX2.54mm Pitch Terminal

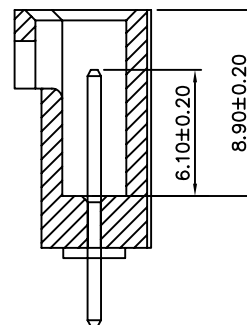
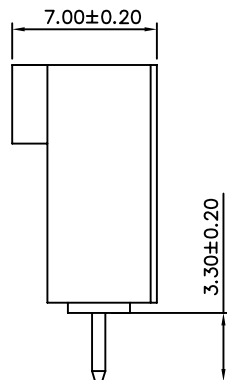
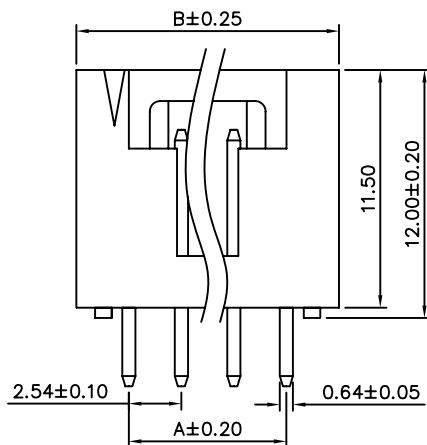
ROHS REACH

日期版次	日期	变更内容	核 准
REVISION	DATE	DESCRIPTION	APPROVALBY

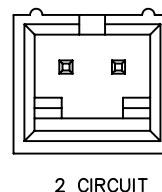
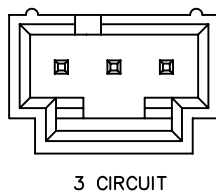
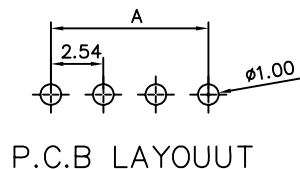


SPECIFICATIONS

- Voltage rating: 250V DC/AC (rms)
- Current rating: 5.0A
- Withstand voltage: 1500V AC(rms)
- Working Temperature: -25°C +85°C
- Insulation resistance: ≥1000MΩ
- Contact resistance: ≤20MΩ



poles	part no.	dimensions (mm)	
		A	B
2	A2541V-2P	2.54	7.62
3	A2541V-3P	5.08	10.16
4	A2541V-4P	7.62	12.70
5	A2541V-5P	10.16	15.24
6	A2541V-6P	12.70	17.78
7	A2541V-7P	15.24	20.32
8	A2541V-8P	17.78	22.86
9	A2541V-9P	20.32	25.40
10	A2541V-10P	22.86	27.94
11	A2541V-11P	25.40	30.48
12	A2541V-12P	27.94	33.02
13	A2541V-13P	30.48	35.56
14	A2541V-14P	33.02	38.10
15	A2541V-15P	35.56	40.64
16	A2541V-16P	38.10	43.18
17	A2541V-17P	40.64	45.72
18	A2541V-18P	43.18	48.26
19	A2541V-19P	45.72	50.80
20	A2541V-20P	48.26	53.34



PIN针	2-16	BRASS	GOLD-PLATED
壳体	1	PA66+15%GF UL 94V-0	BLACK
PART NAME	QTY.	MATERIALS	SPEC
REV: A	APPROVE	CHECK	DRAWN
SHEET: 1/1	FENG	ZENG	LIJIAN

MATERIAL:	GENERAL TOLERANCE	
UNIT: MM	X. ±0.30	X.* ±2°
SCALE: 3:1	X.X ±0.25	X.X* ±1°
SIZE: A4	X.XX ±0.15	⊕ ⊖

YSTZ 东莞市轩盟电子科技有限公司
DONGGUAN YSTZ ELECTRONIC TECHNOLOGY CO.,LTD

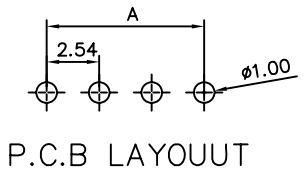
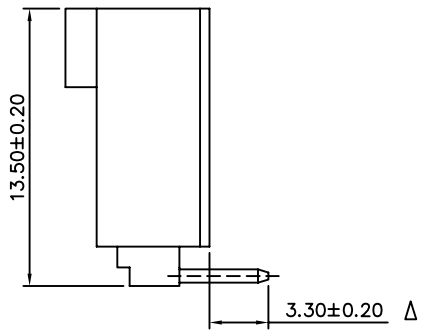
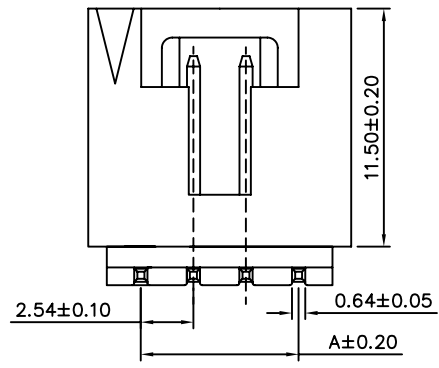
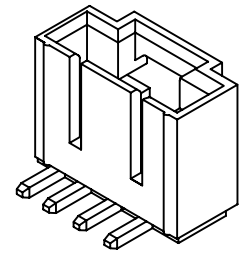
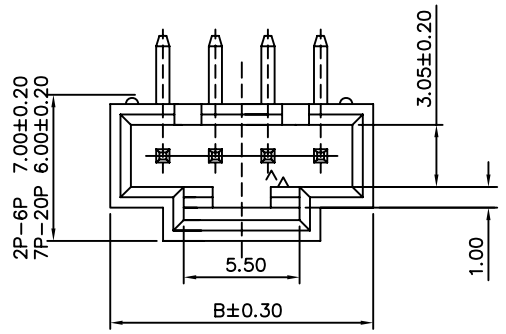
PART NO: A2541V-NP-10D-03
TITLE : MX2.54mm Pitch 180° Wafer

ROHS REACH

日期版次 REVISION	日期 DATE	变更内容 DESCRIPTION	核 准 APPROVALBY

SPECIFICATIONS

- Voltage rating: 250V DC/AC (rms)
- Current rating: 3.0A
- Withstand voltage: 1500V AC(rms)
- Working Temperature: -25°C +85°C
- Insulation resistance: ≥1000MΩ
- Contact resistance: ≤20MΩ



poles	part no.	dimensions (mm)	
		A	B
2	A2541R-2P	2.54	7.62
3	A2541R-3P	5.08	10.16
4	A2541R-4P	7.62	12.70
5	A2541R-5P	10.16	15.24
6	A2541R-6P	12.70	17.78
7	A2541R-7P	15.24	20.32
8	A2541R-8P	17.78	22.86
9	A2541R-9P	20.32	25.40
10	A2541R-10P	22.86	27.94
11	A2541R-11P	25.40	30.48
12	A2541R-12P	27.94	33.02
13	A2541R-13P	30.48	35.56
14	A2541R-14P	33.02	38.10
15	A2541R-15P	35.56	40.64
16	A2541R-16P	38.10	43.18
17	A2541R-17P	40.64	45.72
18	A2541R-18P	43.18	48.26
19	A2541R-19P	45.72	50.80
20	A2541R-20P	48.26	53.34

PIN针	2-16	BRASS	GOLD-PLATED
壳体	1	PA66+15%GF UL 94V-0	BLACK
PART NAME	QTY.	MATERIALS	SPEC
REV: A	APPROVE	CHECK	DRAWN
SHEET: 1/1	FENG	ZENG	LIJIAN

MATERIAL:	GENERAL TOLERANCE	
UNIT: MM	X. ±0.30	X.* ±2*
SCALE: 3:1	X.X ±0.25	X.X* ±1*
SIZE: A4	X.XX ±0.15	⊕ ⊖

YSTZ 东莞市轩盟电子科技有限公司
DONGGUAN YSTZ ELECTRONIC TECHNOLOGY CO.,LTD

PART NO: A2541R-NP-10D-03

TITLE : MX2.54mm Pitch 90° Wafer