

ROHS REACH

日期版次 REVISION	日期 DATE	变更内容 DESCRIPTION	核 准 APPROVALBY

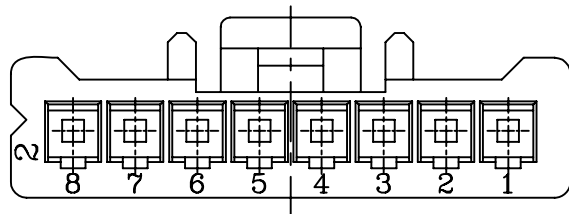
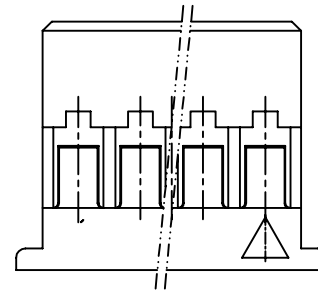
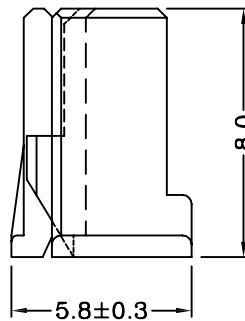
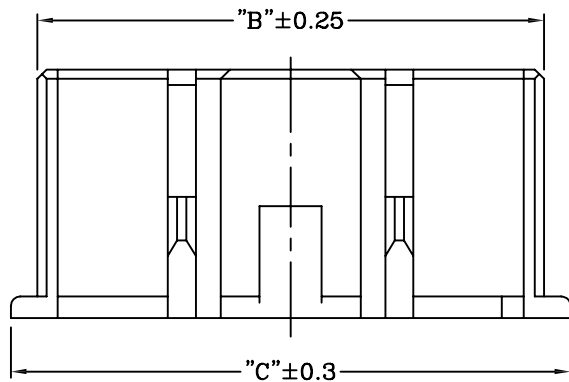
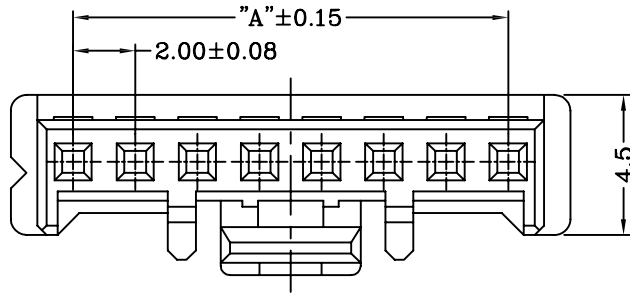
SPECIFICATIONS

- Voltage rating: 250V DC/AC (rms)
- Current rating: 3.0A
- Withstand voltage: 800V AC(rms)
- Working Temperature: -25°C +85°C
- Insulation resistance: ≥1000MΩ
- Contact resistance: ≤10MΩ

HOUSING

- PART NO: A2009H
- MATERIAL: NYLON66 94V-0
- COLOR: NATURAL(WHITE)
- USE WITH:
Terminal: A2009T
Wafer: A2009R A2009V
- Q'TY: 1000PCS/BAG

poles	part no.	dimensions (mm)		
		A	B	C
2	A2009H-2P	2.00	4.3000	6.00
3	A2009H-3P	4.00	6.3000	8.00
4	A2009H-4P	6.00	8.3000	10.00
5	A2009H-5P	8.00	10.3000	12.00
6	A2009H-6P	10.00	12.3000	14.00
7	A2009H-7P	12.00	14.3000	16.00
8	A2009H-8P	14.00	16.3000	18.00
9	A2009H-9P	16.00	18.3000	20.00
10	A2009H-10P	18.00	20.3000	22.00
11	A2009H-11P	20.00	22.3000	24.00
12	A2009H-12P	22.00	24.3000	26.00
13	A2009H-13P	24.00	26.3000	28.00
14	A2009H-14P	26.00	28.3000	30.00
15	A2009H-15P	28.00	30.3000	32.00
16	A2009H-16P	30.00	32.30	34.00



MATERIAL:
PA66UL94-V0

GENERAL TOLERANCE

UNIT: MM	X. ±0.30	X.* ±2°
SCALE: 3:1	X.X ±0.25	X.X* ±1°
SIZE: A4	X.XX ±0.15	

YSTZ 东莞市轩盟电子科技有限公司
DONGGUAN YSTZ ELECTRONIC TECHNOLOGY CO.,LTD

PART NO: A2009H-NP-10D-04

TITLE: PA2.00mm Pitch Dual Row Housing

REV: A	APPROVE	CHECK	DRAWN
SHEET: 1/1	FENG	ZENG	LIJIAN

ROHS REACH

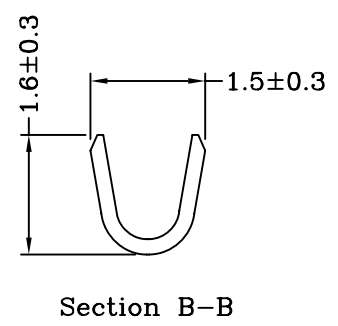
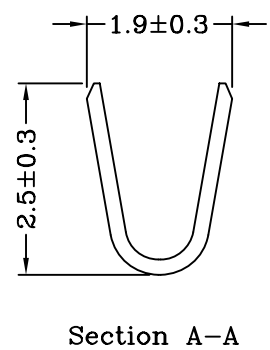
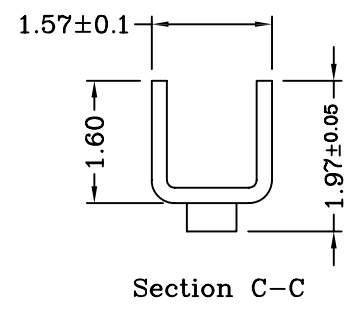
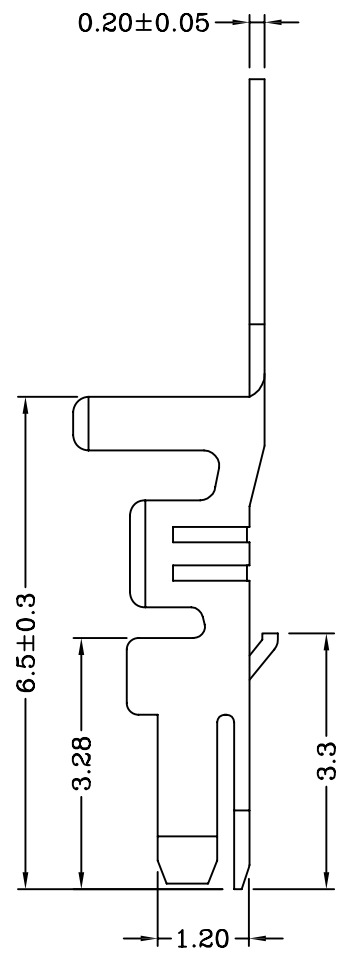
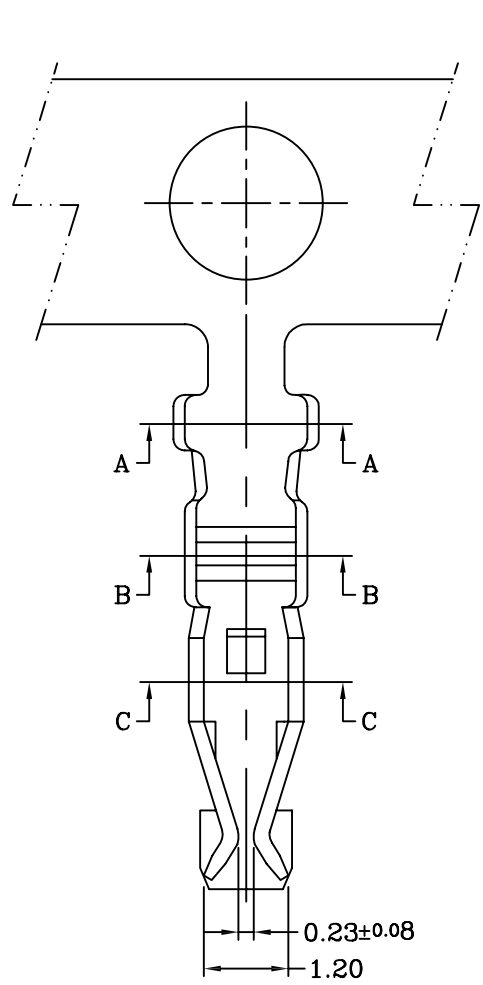
日期版次	日期	变更内容	核 准
REVISION	DATE	DESCRIPTION	APPROVALBY

SPECIFICATIONS

- Voltage rating: 250V DC/AC (rms)
- Current rating: 3.0A
- Withstand voltage: 800V AC(rms)
- Working Temperature: -25℃+85℃
- Insulation resistance: ≥1000MΩ
- Contact resistance: ≤10mΩ

TERMINAL

- PART NO: A2009T
- THICKNESS: 0.20MM
- MATERIAL: PHOSPHOR BRONZE
- FINISH: TIN-PLATED
- APPLICABLE WIRE: AWG#22-#28
- USE WITH: Housing: A2009H
- Q'TY: 10000PCS/REEL



REV: A	APPROVE	CHECK	DRAWN
SHEET: 1/1	FENG	ZENG	LIJIAN

MATERIAL:	GENERAL TOLERANCE	
UNIT: MM	X. ±0.30	X.* ±2°
SCALE: 3:1	X.X ±0.25	X.X* ±1°
SIZE: A4	X.XX ±0.15	⊕ ⊗

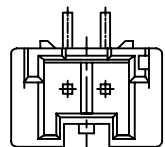
YSTZ 东莞市轩盟电子科技有限公司
 DONGGUAN YSTZ ELECTRONIC TECHNOLOGY CO.,LTD

PART NO: A2009T-PC-1D-04

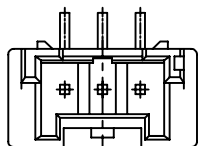
TITLE: PA2.00mm Pitch Terminal

ROHS REACH

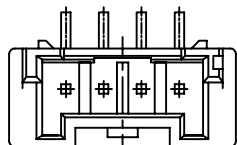
日期版次	日期	变更内容	核 准
REVISION	DATE	DESCRIPTION	APPROVALBY



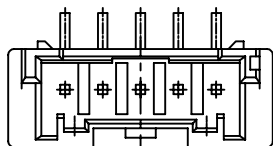
2P



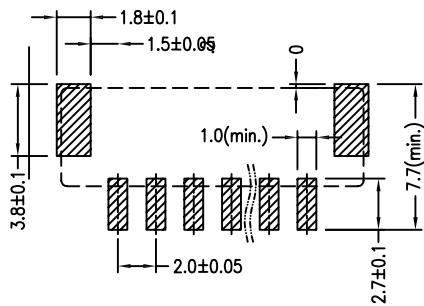
3P



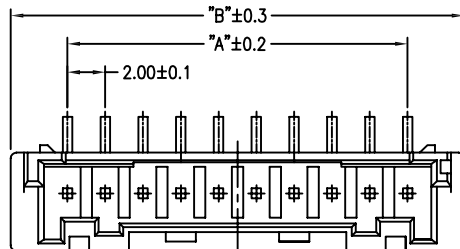
4P



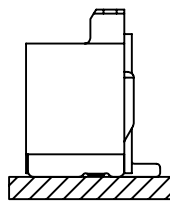
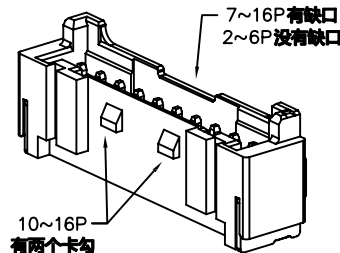
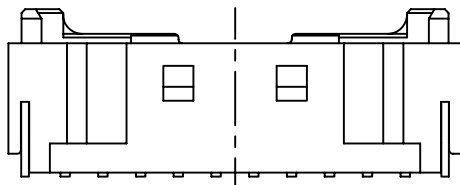
5P~9P



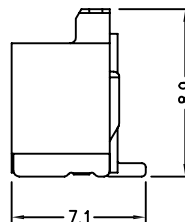
P.C.B. LAYOUT



10P~16P



Assembly Layout



SPECIFICATIONS

- Voltage rating: 250V DC/AC (rms)
- Current rating: 3.0A
- Withstand voltage: 800V AC(rms)
- Working Temperature: -25℃+85℃
- Insulation resistance: ≥1000MΩ
- Contact resistance: ≤10MΩ

poles	paVt no	dimensions (mm)	
		A	B
2	A2009VS-2P	2.00	8.00
3	A2009VS-3P	4.00	10.00
4	A2009VS-4P	6.00	12.00
5	A2009VS-5P	8.00	14.00
6	A2009VS-6P	10.00	16.00
7	A2009VS-7P	12.00	18.00
8	A2009VS-8P	14.00	20.00
9	A2009VS-9P	16.00	22.00
10	A2009VS-10P	18.00	24.00
11	A2009VS-11P	20.00	26.00
12	A2009VS-12P	22.00	28.00
13	A2009VS-13P	24.00	30.00
14	A2009VS-14P	26.00	32.00
15	A2009VS-15P	28.00	34.00
16	A2009VS-16P	30.00	36.00

定位片	2	BRASS	TIN-PLATED
PIN针	2-16	BRASS	TIN-PLATED
壳体	1	PA9T UL 94V-0	BEIGE
PART NAME	QTY.	MATERIALS	SPEC

REV: A	APPROVE	CHECK	DRAWN
SHEET:1/1	FENG	ZENG	LIJIAN

MATERIAL:	GENERAL TOLERANCE
UNIT: MM	X. ±0.30 X.* ±2°
SCALE: 3:1	X.X ±0.25 X.X* ±1°
SIZE: A4	X.XX ±0.15

YSTZ 东莞市轩盟电子科技有限公司
DONGGUAN YSTZ ELECTRONIC TECHNOLOGY CO.,LTD

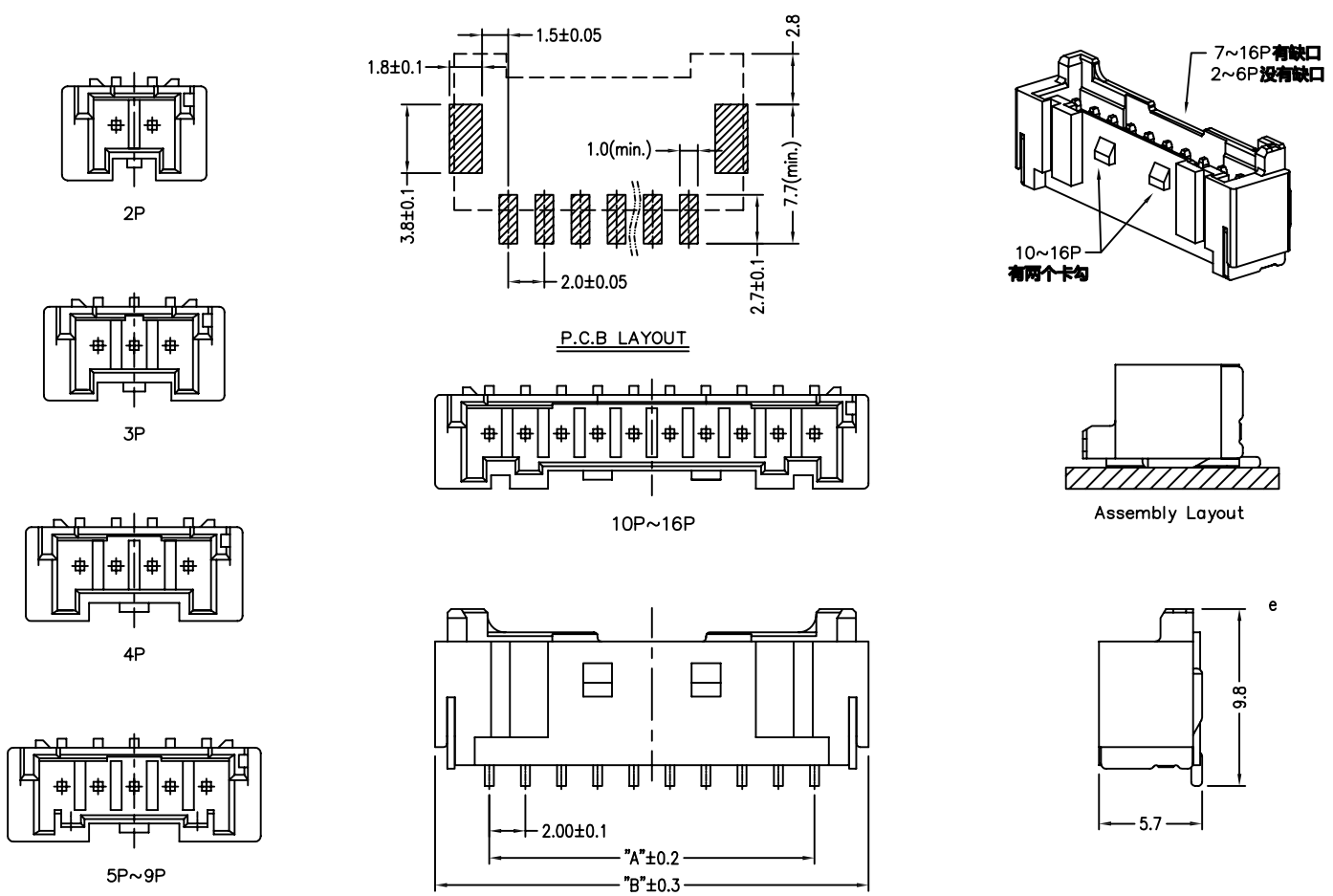
PART NO: A2009VS-NP-70E-04
TITLE: PA2.00mm Pitch 180°-SMT-Wafer

ROHS REACH

日期版次	日期	变更内容	核 准
REVISION	DATE	DESCRIPTION	APPROVALBY

SPECIFICATIONS

- Voltage rating: 250V DC/AC (rms)
- Current rating: 3.0A
- Withstand voltage: 800V AC(rms)
- Working Temperature: -25℃+85℃
- Insulation resistance: ≥1000MΩ
- Contact resistance: ≤10MΩ



poles	part no	dimensions (mm)	
		A	B
2	A2009RS-2P	2.00	8.00
3	A2009RS-3P	4.00	10.00
4	A2009RS-4P	6.00	12.00
5	A2009RS-5P	8.00	14.00
6	A2009RS-6P	10.00	16.00
7	A2009RS-7P	12.00	18.00
8	A2009RS-8P	14.00	20.00
9	A2009RS-9P	16.00	22.00
10	A2009RS-10P	18.00	24.00
11	A2009RS-11P	20.00	26.00
12	A2009RS-12P	22.00	28.00
13	A2009RS-13P	24.00	30.00
14	A2009RS-14P	26.00	32.00
15	A2009RS-15P	28.00	34.00
16	A2009RS-16P	30.00	36.00

定位片	2	BRASS	TIN-PLATED
PIN针	2-16	BRASS	TIN-PLATED
壳体	1	PA9T UL 94V-0	BEIGE

PART NAME	QTY.	MATERIALS	SPEC
REV: A	APPROVE	CHECK	DRAWN
SHEET:1/1	FENG	ZENG	LIJIAN

MATERIAL:	GENERAL TOLERANCE
UNIT: MM	X. ±0.30 X.* ±2°
SCALE: 3:1	X.X ±0.25 X.X* ±1°
SIZE: A4	X.XX ±0.15

YSTZ 东莞市轩盟电子科技有限公司
 DONGGUAN YSTZ ELECTRONIC TECHNOLOGY CO.,LTD

PART NO: A2009RS-NP-70D-04

TITLE: PA2.00mm Pitch 90°-SMT-Wafer