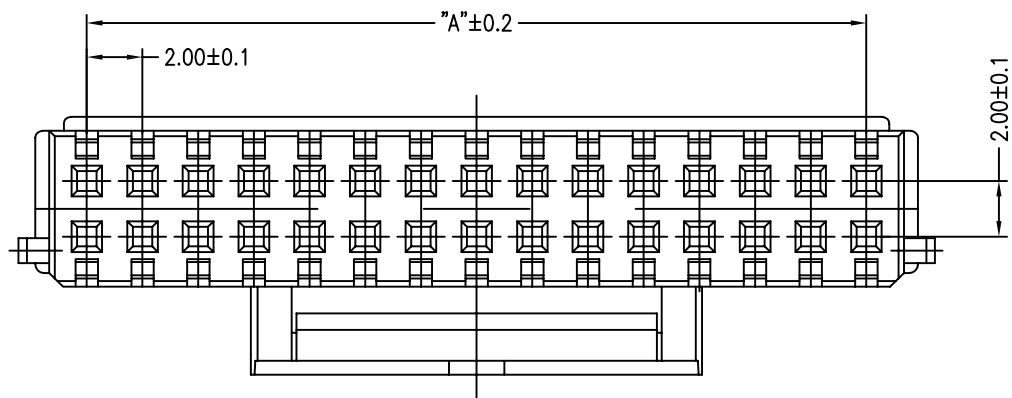


ROHS REACH

日期版次	日期	变更内容	核准
REVISION	DATE	DESCRIPTION	APPROVALBY

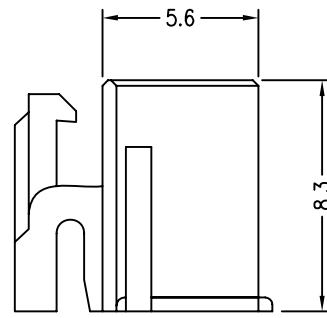
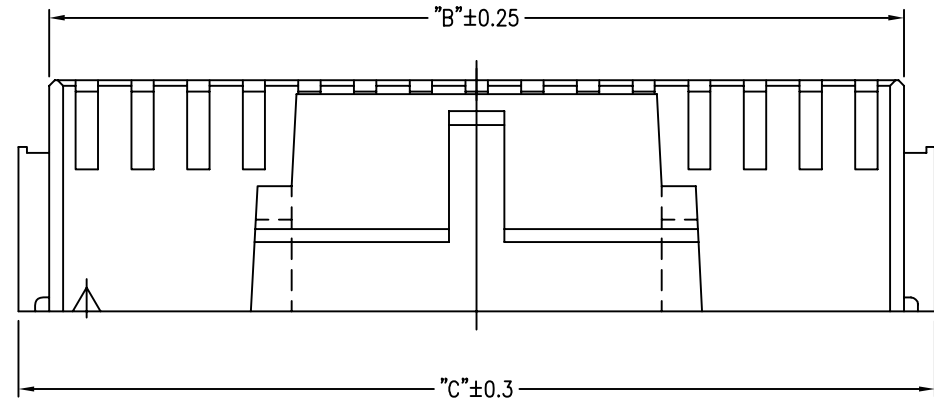


SPECIFICATIONS

- Voltage rating: 250V DC/AC (rms)
- Current rating: 2.0A
- Withstand voltage: 800V AC(rms)
- Working Temperature: -25°C +85°C
- Insulation resistance: ≥1000MΩ
- Contact resistance: ≤20MΩ

HOUSING

- PART NO: A2005H
- MATERIAL: NYLON66 94V-0
- COLOR: NATURAL(WHITE)
- USE WITH:
 - Terminal: A2005T
 - Wafer: A2005R A2005V
- Q'TY: 1000PCS/BAG



poles	part no.	dimensions (mm)		
		A	B	C
4	A2005H-2X2P	2.00	4.70	6.90
6	A2005H-2X3P	4.00	6.70	8.90
8	A2005H-2X4P	6.00	8.70	10.90
10	A2005H-2X5P	8.00	10.70	12.90
12	A2005H-2X6P	10.00	12.70	14.90
14	A2005H-2X7P	12.00	14.70	16.90
16	A2005H-2X8P	14.00	16.70	18.90
18	A2005H-2X9P	16.00	18.70	20.90
20	A2005H-2X10P	18.00	20.70	22.90
22	A2005H-2X11P	20.00	22.70	24.90
24	A2005H-2X12P	22.00	24.70	26.90
26	A2005H-2X13P	24.00	26.70	28.90
28	A2005H-2X14P	26.00	28.70	30.90
30	A2005H-2X15P	28.00	30.70	32.90
32	A2005H-2X16P	30.00	32.70	34.90
34	A2005H-2X17P	32.00	34.70	36.90
36	A2005H-2X18P	34.00	36.70	38.90
38	A2005H-2X19P	36.00	38.70	40.90
40	A2005H-2X20P	38.00	40.70	42.90
60	A2005H-2X30P	58.00	60.70	62.90

REV: A	APPROVE	CHECK	DRAWN	MATERIAL: PA66UL94-V0	GENERAL TOLERANCE	
	FENG	ZENG	LIJIAN	UNIT: MM	X. ±0.30	X.* ±2°
	SHEET:1/1			SCALE: 3:1	X.X ±0.25	X.X* ±1°
				SIZE: A4	X.XX ±0.15	

YSTZ 东莞市轩盟电子科技有限公司
DONGGUAN YSTZ ELECTRONIC TECHNOLOGY CO.,LTD

PART NO: A2005H-2XNP-10D-04
TITLE: PHB2.00mm Pitch Dual Row Housing

ROHS REACH

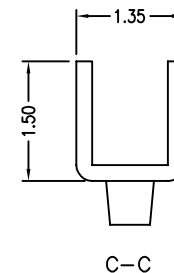
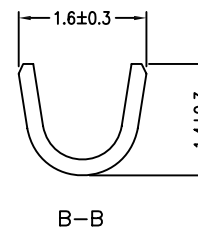
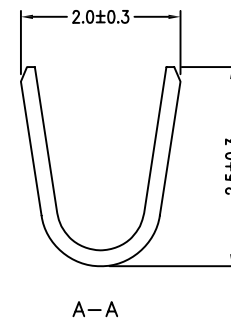
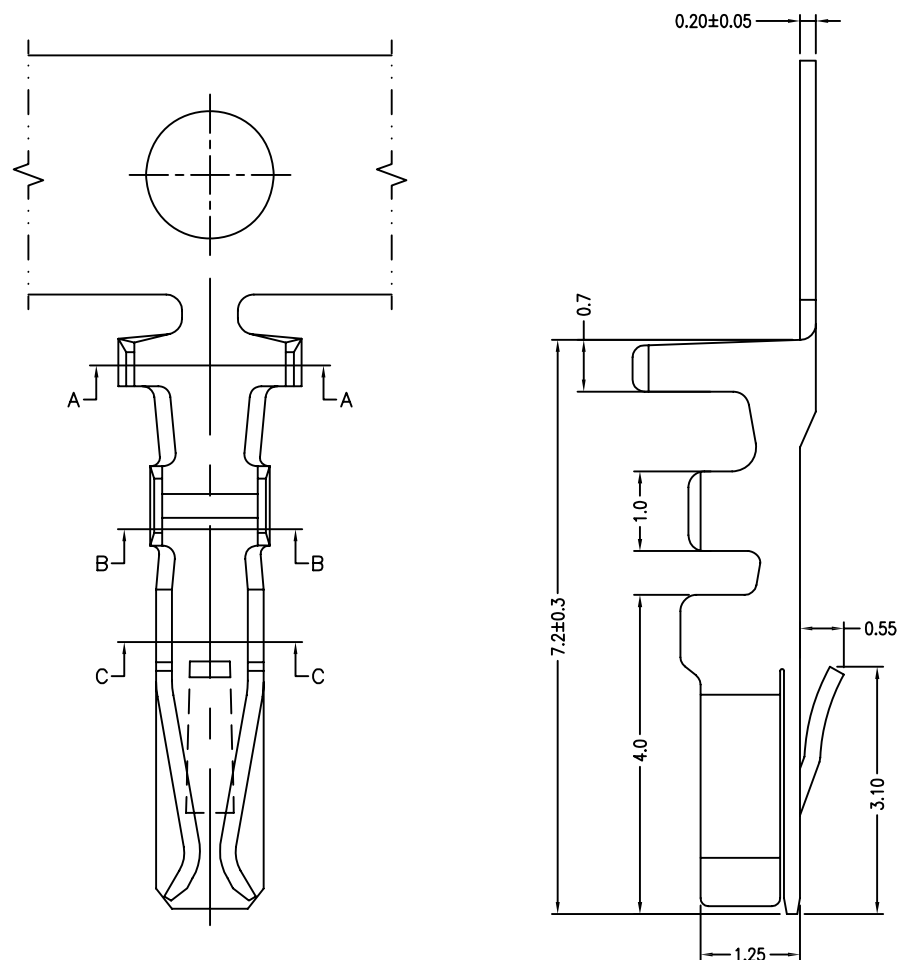
日期版次	日期	变更内容	核 准
REVISION	DATE	DESCRIPTION	APPROVALBY

SPECIFICATIONS

- Voltage rating: 250V DC/AC (rms)
- Current rating: 2.0A
- Withstand voltage: 800V AC(rms)
- Working Temperature: -25°C +85°C
- Insulation resistance: ≥1000MΩ
- Contact resistance: ≤20mΩ

TERMINAL

- PART NO: A2005T
- THICKNESS: 0.20MM
- MATERIAL: PHOSPHOR BRONZE
- FINISH: TIN--PLATED
- APPLICABLE WIRE: AWG#22-#28
- USE WITH: Housing: A2005H
- Q'TY: 10000PCS/REEL



REV: A	APPROVE	CHECK	DRAWN	MATERIAL:	GENERAL TOLERANCE		东莞市轩盟电子科技有限公司 DONGGUAN YSTZ ELECTRONIC TECHNOLOGY CO.,LTD
	FENG	ZENG	LIJIAN	UNIT: MM	X. ±0.30	X.* ±2°	
SHEET:1/1				SCALE: 3:1	X.X ±0.25	X.X* ±1°	PART NO: A2005T-PC-1D-04
				SIZE: A4	X.XX ±0.15		TITLE: PHB2.00mm Pitch Terminal

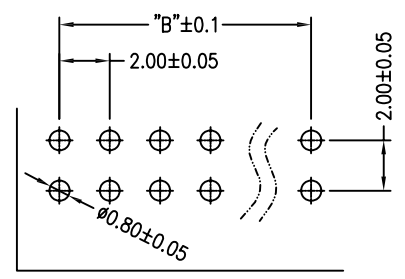
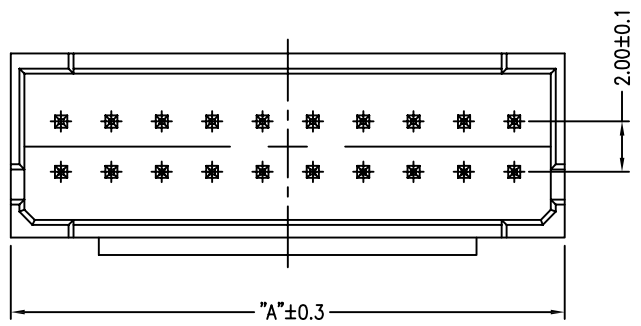
ROHS REACH

	日期	变更内容	核准
REVISION	DATE	DESCRIPTION	APPROVALBY

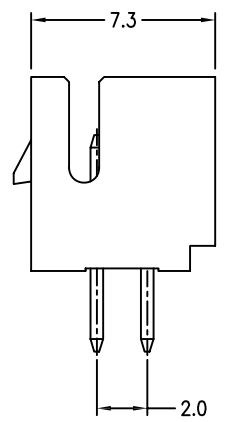
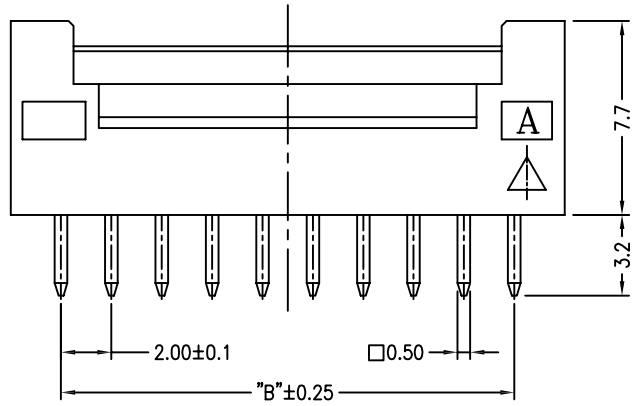
SPECIFICATIONS

- Voltage rating: 250V DC/AC (rms)
- Current rating: 2.0A
- Withstand voltage: 800V AC(rms)
- Working Temperature: -25°C +85°C
- Insulation resistance: ≥1000MΩ
- Contact resistance: ≤20mΩ

poles	paVt no	dimensions (mm)	
		A	B
4	A2005V-2X2P	6.00	2.00
6	A2005V-2X3P	8.00	4.00
8	A2005V-2X4P	10.00	6.00
10	A2005V-2X5P	12.00	8.00
12	A2005V-2X6P	14.00	10.00
14	A2005V-2X7P	16.00	12.00
16	A2005V-2X8P	18.00	14.00
18	A2005V-2X9P	20.00	16.00
20	A2005V-2X10P	22.00	18.00
22	A2005V-2X11P	24.00	20.00
24	A2005V-2X12P	26.00	22.00
26	A2005V-2X13P	28.00	24.00
28	A2005V-2X14P	30.00	26.00
30	A2005V-2X15P	32.00	28.00
32	A2005V-2X16P	34.00	30.00
34	A2005V-2X17P	36.00	32.00
36	A2005V-2X18P	38.00	34.00
38	A2005V-2X19P	40.00	36.00
40	A2005V-2X20P	42.00	38.00
60	A2005V-2X30P	62.00	58.00



P.C.B LAYOUT



PIN针	2-20\30	BRASS	TIN-PLATED
壳体	1	PA46 UL 94V-0	BEIGE
PART NAME	QTY.	MATERIALS	SPEC
REV: A	APPROVE	CHECK	DRAWN
SHEET:1/1	FENG	ZENG	LIJIAN

MATERIAL:	GENERAL TOLERANCE
UNIT: MM	X. ±0.30 X.* ±2°
SCALE: 3:1	X.X ±0.25 X.X* ±1°
SIZE: A4	X.XX ±0.15

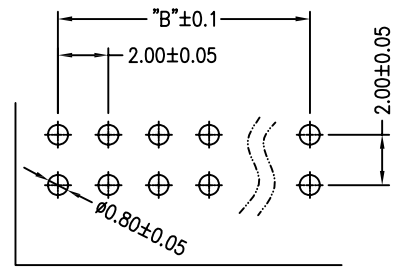
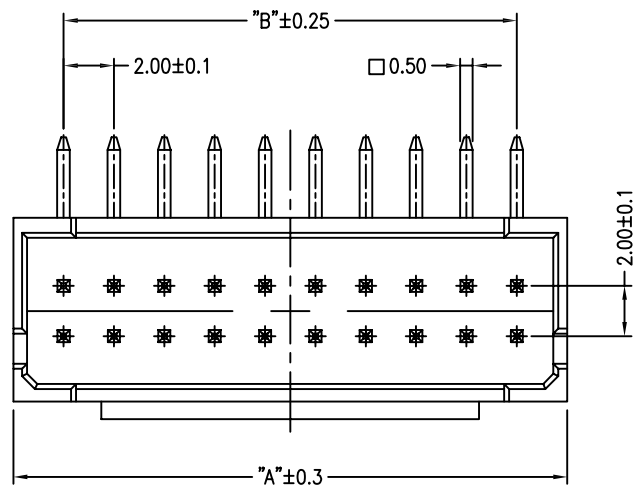
YSTZ 东莞市轩盟电子科技有限公司
 DONGGUAN YSTZ ELECTRONIC TECHNOLOGY CO.,LTD

PART NO: A2005V-NP-80D-04

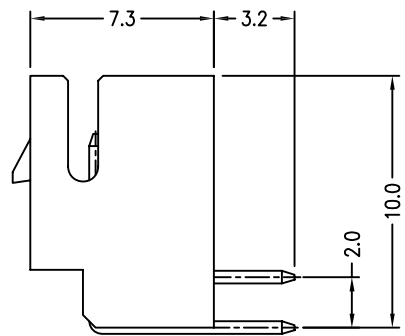
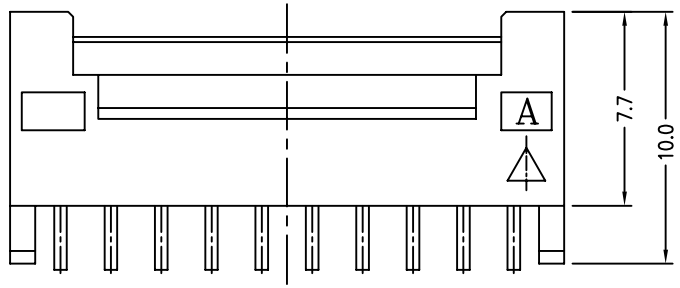
TITLE: PHB2.00mm Pitch 180° Dual Row Wafer

ROHS REACH

日期版次	日期	变更内容	核 准
REVISION	DATE	DESCRIPTION	APPROVALBY



P.C.B LAYOUT



SPECIFICATIONS

- Voltage rating: 250V DC/AC (rms)
- Current rating: 2.0A
- Withstand voltage: 800V AC(rms)
- Working Temperature: -25°C +85°C
- Insulation resistance: ≥1000MΩ
- Contact resistance: ≤20mΩ

poles	part no	dimensions (mm)	
		A	B
4	A2005R-2X2P	6.00	2.00
6	A2005R-2X3P	8.00	4.00
8	A2005R-2X4P	10.00	6.00
10	A2005R-2X5P	12.00	8.00
12	A2005R-2X6P	14.00	10.00
14	A2005R-2X7P	16.00	12.00
16	A2005R-2X8P	18.00	14.00
18	A2005R-2X9P	20.00	16.00
20	A2005R-2X10P	22.00	18.00
22	A2005R-2X11P	24.00	20.00
24	A2005R-2X12P	26.00	22.00
26	A2005R-2X13P	28.00	24.00
28	A2005R-2X14P	30.00	26.00
30	A2005R-2X15P	32.00	28.00
32	A2005R-2X16P	34.00	30.00
34	A2005R-2X17P	36.00	32.00
36	A2005R-2X18P	38.00	34.00
38	A2005R-2X19P	40.00	36.00
40	A2005R-2X20P	42.00	38.00
60	A2005R-2X30P	62.00	58.00

PIN针	2-20\30	BRASS	TIN-PLATED
壳体	1	PA46 UL 94V-0	BEIGE
PART NAME	QTY.	MATERIALS	SPEC
REV: A	APPROVE	CHECK	DRAWN
SHEET:1/1	FENG	ZENG	LIJIAN

MATERIAL:	GENERAL TOLERANCE
UNIT: MM	X. ±0.30 X.* ±2°
SCALE: 3:1	X.X ±0.25 X.X* ±1°
SIZE: A4	X.XX ±0.15

YSTZ 东莞市轩盟电子科技有限公司
DONGGUAN YSTZ ELECTRONIC TECHNOLOGY CO.,LTD

PART NO: A2005R-NP-80D-04
TITLE: PHB2.00mm Pitch 90° Dual Row Wafer