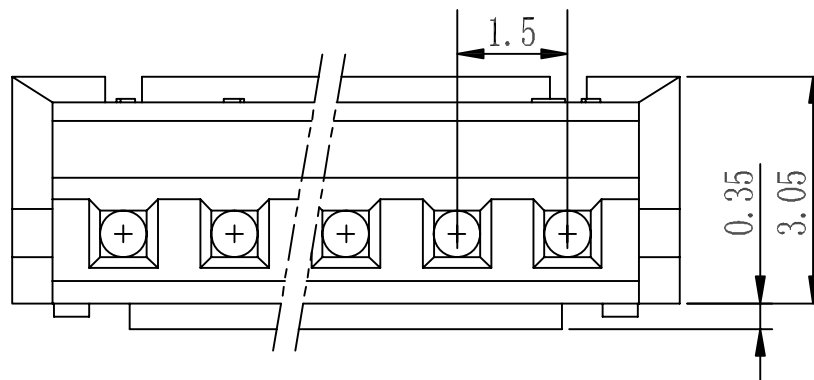
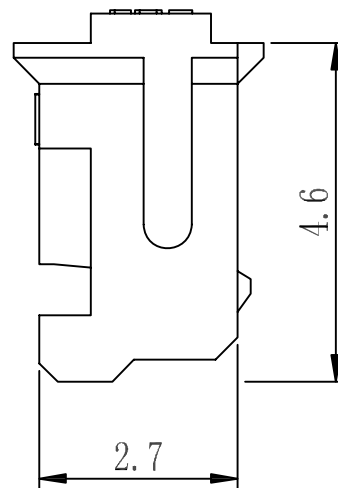
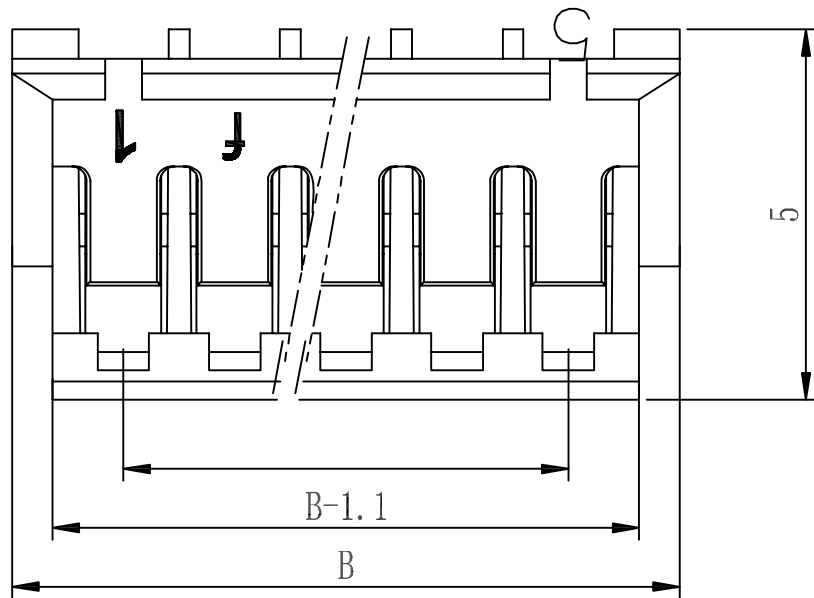


ROHS REACH

日期版次	日期	变更内容	核 准
REVISION	DATE	DESCRIPTION	APPROVALBY



SPECIFICATIONS

- Voltage rating: 50V DC/AC (rms)
- Current rating: 1.0A
- Withstand voltage: 500V AC(rms)
- Working Temperature: -25℃+85℃
- Insulation resistance: ≥500MΩ
- Contact resistance: ≤20MΩ

HOUSING

- PART NO: A1500H
- MATERIAL: NYLON66 94V-0
- COLOR: NATURAL(WHITE)
- USE WITH:
  - Terminal: A1500T
  - Wafer: A1500R     A1500V
  - A1500RS    A1500VS
- Q'TY: 1000PCS/BAG

poles	part no.	dimensions (mm)	
		A	B
2	A1500H-2P	1.50	4.50
3	A1500H-3P	3.00	6.00
4	A1500H-4P	4.50	7.50
5	A1500H-5P	6.00	9.00
6	A1500H-6P	7.50	10.50
7	A1500H-7P	9.00	12.50
8	A1500H-8P	10.50	13.50
9	A1500H-9P	12.00	15.00
10	A1500H-10P	13.50	16.50
11	A1500H-11P	15.00	18.00
12	A1500H-12P	16.50	19.50
13	A1500H-13P	18.00	21.00
14	A1500H-14P	19.50	22.50
15	A1500H-15P	21.00	24.00
16	A1500H-16P	22.50	25.50

MATERIAL: PA66UL94-V0	GENERAL TOLERANCE	
UNIT: MM	X. ±0.30	X.* ±2°
SCALE: 3:1	X.X ±0.25	X.X* ±1°
SIZE: A4	X.XX ±0.15	

**YSTZ** 东莞市轩盟电子科技有限公司  
DONGGUAN YSTZ ELECTRONIC TECHNOLOGY CO.,LTD

PART NO: A1500H-NP-10E-06  
TITLE : 1.50MM PITCH HOUSING

REV: A	APPROVE	CHECK	DRAWN
SHEET: 1/1	FENG	ZENG	LIJIAN

ROHS REACH

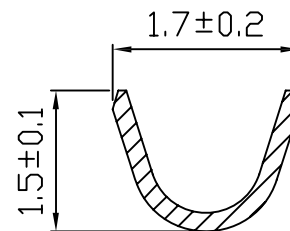
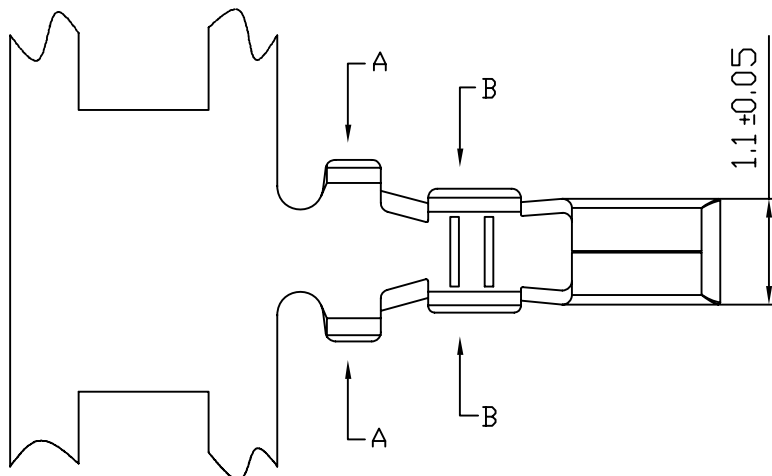
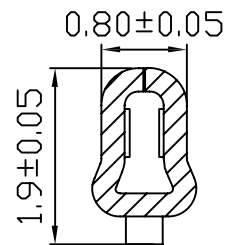
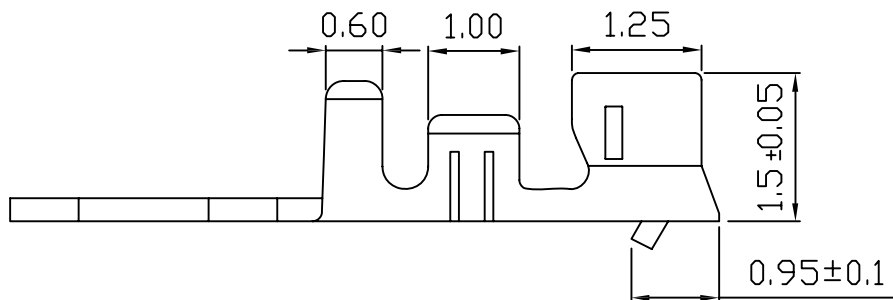
日期版次	日期	变更内容	核 准
REVISION	DATE	DESCRIPTION	APPROVALBY

SPECIFICATIONS

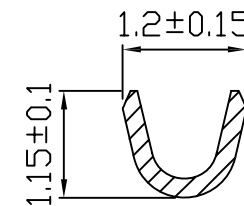
- Voltage rating: 50V DC/AC (rms)
- Current rating: 1.0A
- Withstand voltage: 500V AC(rms)
- Working Temperature: -25°C +85°C
- Insulation resistance: ≥500MΩ
- Contact resistance: ≤20mΩ

TERMINAL

- PART NO: A1500T
- THICKNESS: 0.20MM
- MATERIAL: PHOSPHOR BRONZE
- FINISH: TIN-PLATED
- APPLICABLE WIRE: AWG#28-#32
- USE WITH: Housing: A1500H
- Q'TY: 10000PCS/REEL



SECTION A-A



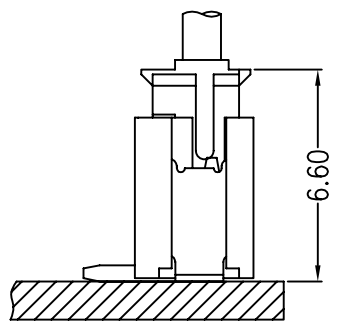
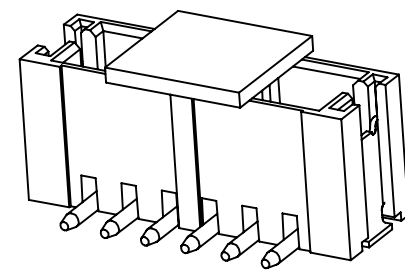
SECTION B-B

REV: A	APPROVE	CHECK	DRAWN	MATERIAL:	GENERAL TOLERANCE		东莞市轩盟电子科技有限公司 DONGGUAN YSTZ ELECTRONIC TECHNOLOGY CO.,LTD
	FENG	ZENG	LIJIAN	UNIT: MM	X. ±0.30	X.* ±2°	
SHEET:1/1				SCALE: 3:1	X.X ±0.25	X.X* ±1°	PART NO: A1500T-PC-1E-06
				SIZE: A4	X.XX ±0.15		TITLE: 1.50mm Pitch Terminal

# ROHS REACH

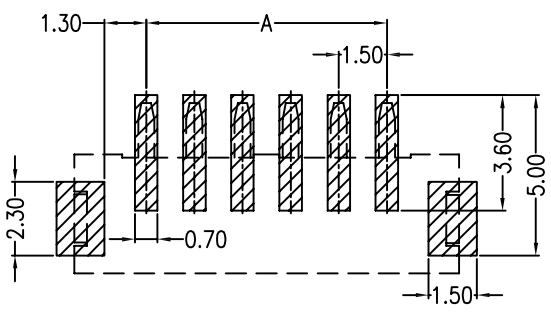
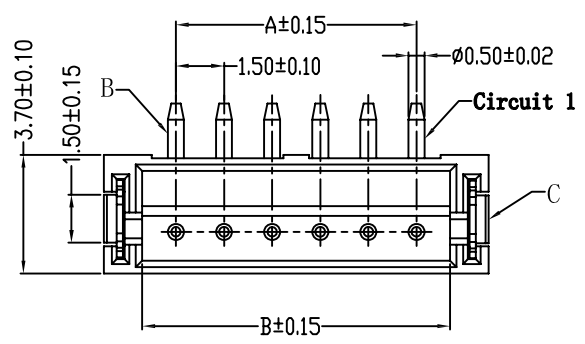
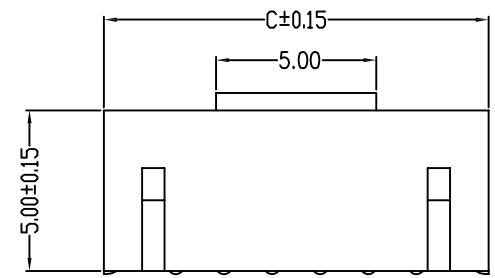
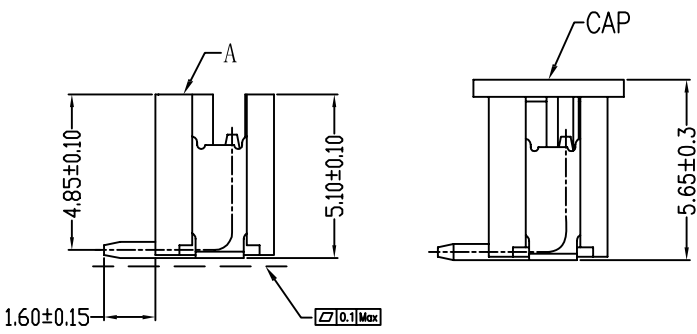
日期版次 REVISION	日期 DATE	变更内容 DESCRIPTION	核 准 APPROVALBY

NOTES:  
 CURRENT RATING: 1A AC/DC.  
 VOLTAGE RATING: 125V AC/DC.  
 TEMPERATURE RANGE: -25°C~+85°C.  
 CONTACT RESISTANCE: 20mΩ<sup>MAX</sup>.  
 INSULATION RESISTANCE: 500MΩ<sup>MIN</sup>.  
 WITHSTANDING VOLTAGE: 500V AC/MINUTE.



**Assembly Layout**

poles	part no	dimensions (mm)		
		A	B	C
2	A1500VS-2P	1.50	3.60	6.00
3	A1500VS-3P	3.00	5.10	7.50
4	A1500VS-4P	4.50	6.60	9.00
5	A1500VS-5P	6.00	8.10	10.50
6	A1500VS-6P	7.50	9.60	12.00
7	A1500VS-7P	9.00	11.10	13.50
8	A1500VS-8P	10.50	12.60	15.00
9	A1500VS-9P	12.00	14.10	16.50
10	A1500VS-10P	13.50	15.60	18.00
11	A1500VS-11P	15.00	17.10	19.50
12	A1500VS-12P	16.50	18.60	21.00
13	A1500VS-13P	18.00	20.10	22.50
14	A1500VS-14P	19.50	21.60	24.00
15	A1500VS-15P	21.00	23.10	25.50
16	A1500VS-16P	22.50	24.60	27.00



**SUGGESTED PCB LAYOUT**

PIN针	2-16	BRASS	TIN-PLATED
定位片	2	PHOSPHOR	TIN-PLATED
壳体	1	LCP UL 94V-0	BEIGE
PART NAME	QTY.	MATERIALS	SPEC

MATERIAL:	GENERAL TOLERANCE
UNIT: MM	X. ±0.30 X. ° ±2°
SCALE: 3:1	X.X ±0.25 X.X° ±1°
SIZE: A4	X.XX ±0.15

**YSTZ 东莞市轩盟电子科技有限公司**  
 DONGGUAN YSTZ ELECTRONIC TECHNOLOGY CO.,LTD

PART NO: A1500VS-NP-50E-25

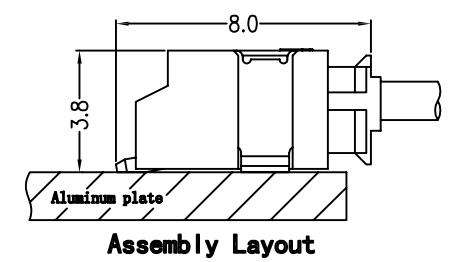
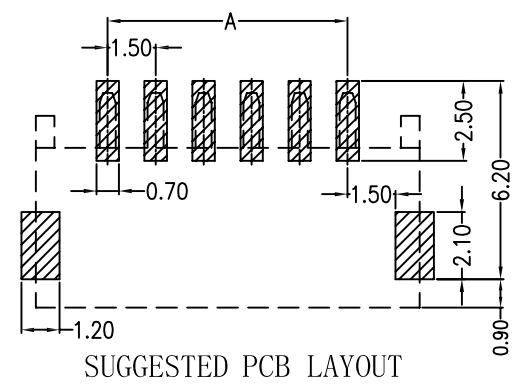
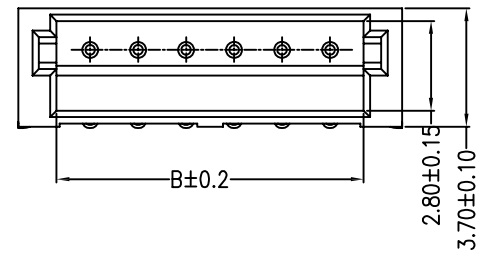
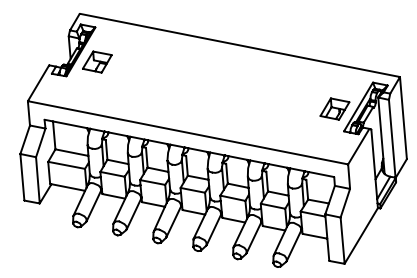
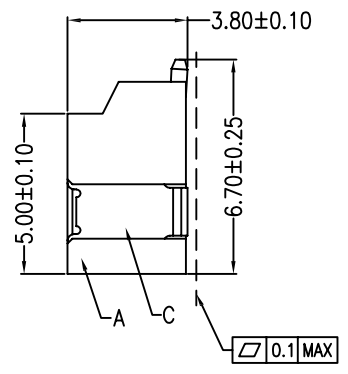
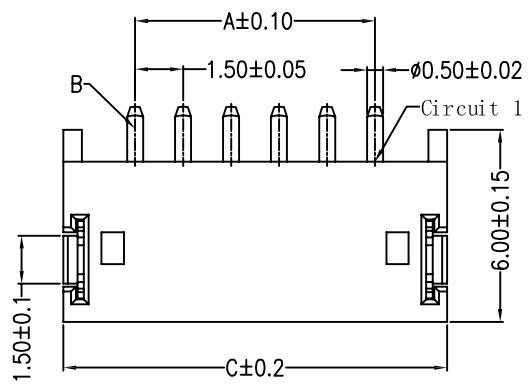
TITLE: ZH1.50mm Pitch 180° -Smt-Wafer

REV: A	APPROVE	CHECK	DRAWN
SHEET: 1/1	FENG	ZENG	LIJIAN

# ROHS REACH

日期版次 REVISION	日期 DATE	变更内容 DESCRIPTION	核 准 APPROVALBY

NOTES:  
 CURRENT RATING: 1A AC/DC.  
 VOLTAGE RATING: 125V AC/DC.  
 TEMPERATURE RANGE: -25°C~+85°C.  
 CONTACT RESISTANCE: 20mΩ<sub>MAX</sub>.  
 INSULATION RESISTANCE: 500MΩ<sub>MIN</sub>.  
 WITHSTANDING VOLTAGE: 500V AC/MINUTE.



poles	part no	dimensions (mm)		
		A	B	C
2	A1500RS-2P	1.50	3.60	6.00
3	A1500RS-3P	3.00	5.10	7.50
4	A1500RS-4P	4.50	6.60	9.00
5	A1500RS-5P	6.00	8.10	10.50
6	A1500RS-6P	7.50	9.60	12.00
7	A1500RS-7P	9.00	11.10	13.50
8	A1500RS-8P	10.50	12.60	15.00
9	A1500RS-9P	12.00	14.10	16.50
10	A1500RS-10P	13.50	15.60	18.00
11	A1500RS-11P	15.00	17.10	19.50
12	A1500RS-12P	16.50	18.60	21.00
13	A1500RS-13P	18.00	20.10	22.50
14	A1500RS-14P	19.50	21.60	24.00
15	A1500RS-15P	21.00	23.10	25.50
16	A1500RS-16P	22.50	24.60	27.00

PIN针	2-16	BRASS	TIN-PLATED
定位片	2	PHOSPHOR	TIN-PLATED
壳体	1	LCP UL 94V-0	BEIGE
PART NAME	QTY.	MATERIALS	SPEC

MATERIAL:	GENERAL TOLERANCE
UNIT: MM	X. ±0.30 X. ° ±2°
SCALE: 3:1	X.X ±0.25 X.X° ±1°
SIZE: A4	X.XX ±0.15

**YSTZ 东莞市轩盟电子科技有限公司**  
 DONGGUAN YSTZ ELECTRONIC TECHNOLOGY CO.,LTD

PART NO: A1500RS-NP-50E-25

TITLE: ZH1.50mm Pitch 90° -Smt-Wafer

REV: A	APPROVE	CHECK	DRAWN
SHEET: 1/1	FENG	ZENG	LIJIAN