

ROHS REACH

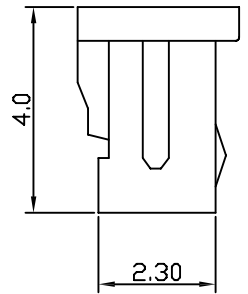
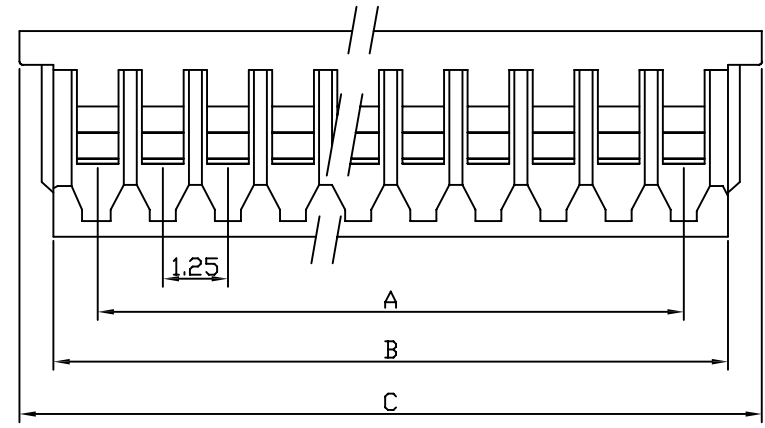
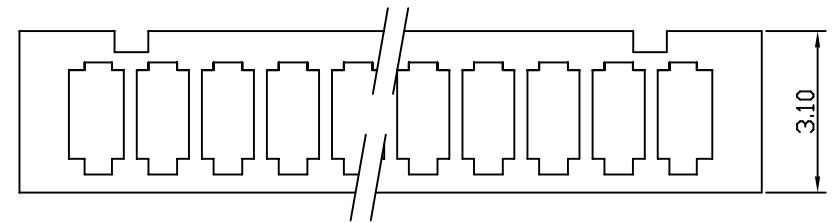
日期版次 REVISION	日期 DATE	变更内容 DESCRIPTION	核 准 APPROVALBY

SPECIFICATIONS

- Voltage rating: 100V DC/AC (rms)
- Current rating: 1.0A
- Withstand voltage: 250V AC(rms)
- Working Temperature: -25°C +85°C
- Insulation resistance: ≥100MΩ
- Contact resistance: ≤20MΩ

HOUSING

- PART NO: A1250H
- MATERIAL: NYLON66 94V-0
- COLOR: NATURAL(WHITE)
- USE WITH:
 - Terminal: A1250T
 - Wafer: A1250R A1250V
 - A1250RS A1250VS
- Q'TY: 1000PCS/BAG



poles	part no.	dimensions (mm)		
		A	B	C
2	A1250H-2P	1.25	2.95	4.25
3	A1250H-3P	2.50	4.20	5.50
4	A1250H-4P	3.75	5.45	6.75
5	A1250H-5P	5.00	6.70	8.00
6	A1250H-6P	6.25	7.95	9.25
7	A1250H-7P	7.50	9.20	10.50
8	A1250H-8P	8.75	10.45	11.75
9	A1250H-9P	10.00	11.70	13.00
10	A1250H-10P	11.25	12.95	14.25
11	A1250H-11P	12.50	14.20	15.50
12	A1250H-12P	13.75	15.45	16.75
13	A1250H-13P	15.00	16.70	18.00
14	A1250H-14P	16.25	17.95	19.25
15	A1250H-15P	17.50	19.20	20.50

REV: A	APPROVE	CHECK	DRAWN
SHEET: 1/1	FENG	ZENG	LIJIAN

MATERIAL: PA66UL94-V0	GENERAL TOLERANCE	
UNIT: MM	X. ±0.30	X.* ±2°
SCALE: 3:1	X.X ±0.25	X.X* ±1°
SIZE: A4	X.XX ±0.15	

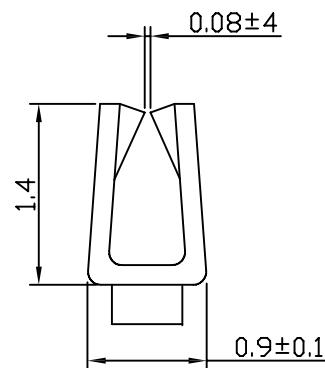
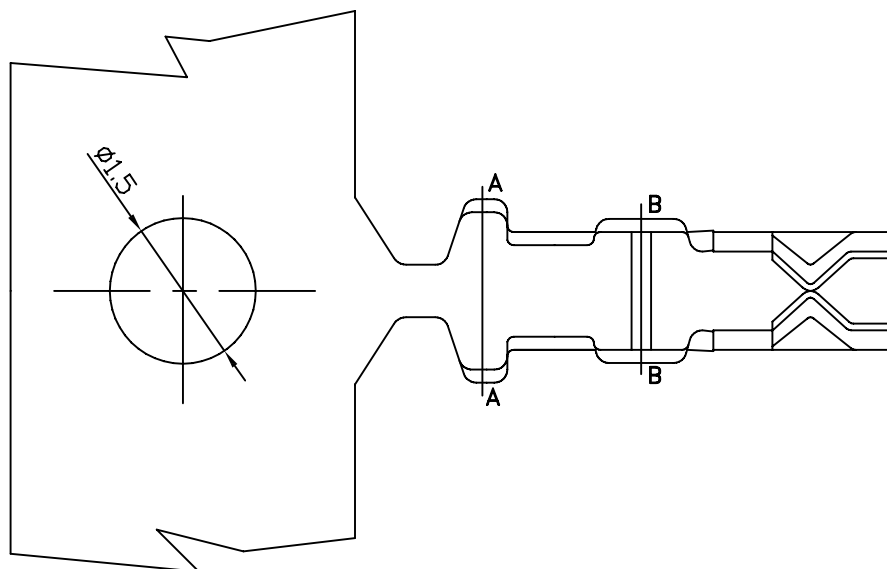
YSTZ 东莞市轩盟电子科技有限公司
DONGGUAN YSTZ ELECTRONIC TECHNOLOGY CO.,LTD

PART NO: A1250H-NP-10E-02

TITLE : 1.25MM PITCH HOUSING

ROHS REACH

日期版次 REVISION	日期 DATE	变更内容 DESCRIPTION	核 准 APPROVALBY

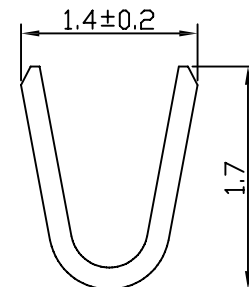
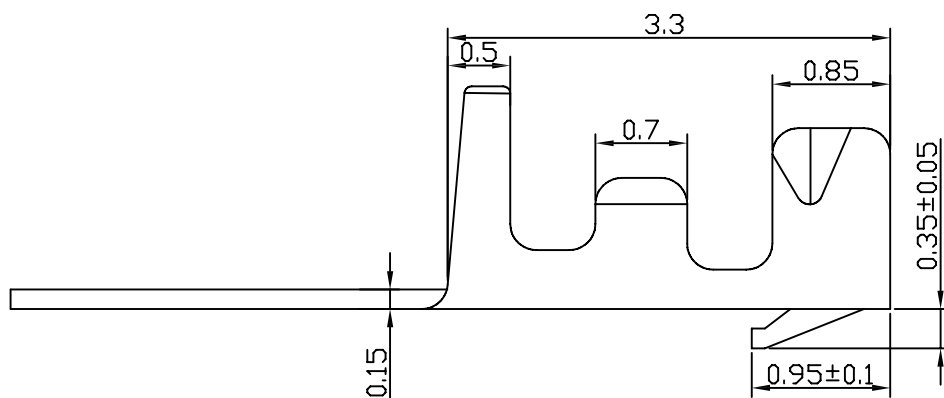


SPECIFICATIONS

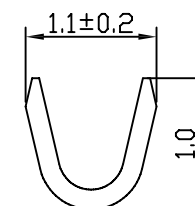
- Voltage rating: 100V DC/AC (rms)
- Current rating: 1.0A
- Withstand voltage: 250V AC(rms)
- Working Temperature: -25℃+85℃
- Insulation resistance: ≥100MΩ
- Contact resistance: ≤20mΩ

TERMINAL

- PART NO: A1250T
- THICKNESS: 0.15MM
- MATERIAL: PHOSPHOR BRONZE
- FINISH: TIN-PLATED
- APPLICABLE WIRE: AWG#28-#32
- USE WITH: Housing: A1250H
- Q'TY: 150000PCS/REEL



SEC:A-A

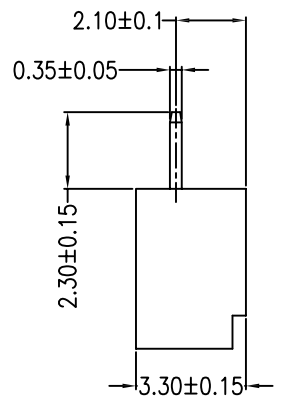
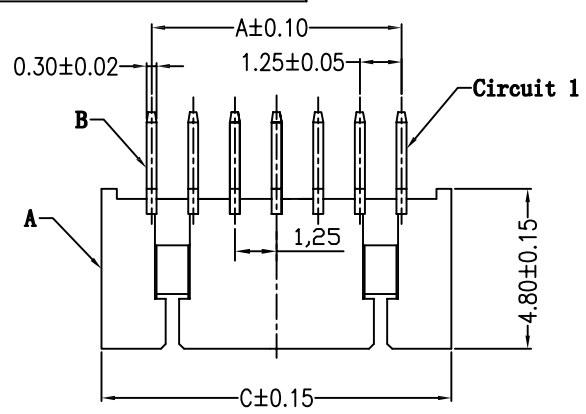


SEC:B-B

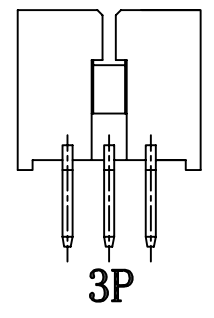
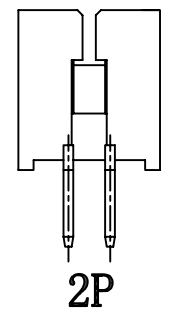
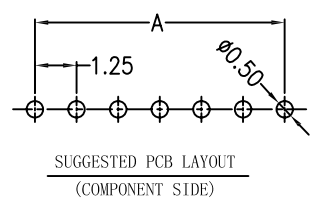
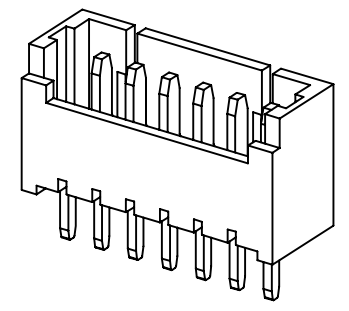
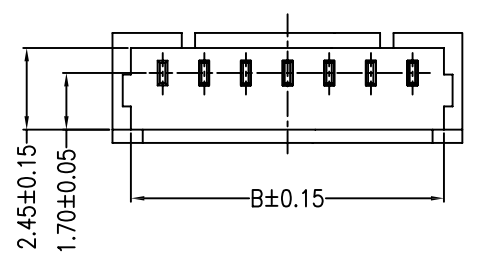
REV: A	APPROVE	CHECK	DRAWN	MATERIAL:	GENERAL TOLERANCE		东莞市轩盟电子科技有限公司 DONGGUAN YSTZ ELECTRONIC TECHNOLOGY CO.,LTD
	FENG	ZENG	LIJIAN	UNIT: MM	X. ±0.30	X.* ±2°	
SHEET:1/1				SCALE: 3:1	X.X ±0.25	X.X* ±1°	PART NO: A1250T-PC-1E-02
				SIZE: A4	X.XX ±0.15		TITLE: 1.25mm Pitch Terminal

ROHS REACH

日期版次	日期	变更内容	核 准
REVISION	DATE	DESCRIPTION	APPROVAL



NOTES:
 CURRENT RATING: 1A AC/DC.
 VOLTAGE RATING: 125V AC/DC.
 TEMPERATURE RANGE: -25°C~+85°C.
 CONTACT RESISTANCE: 20mΩ^{MAX}.
 INSULATION RESISTANCE: 100MΩ^{MIN}.
 WITHSTANDING VOLTAGE: 500V AC/MINUTE.



poles	part no	dimensions (mm)		
		A	B	C
2	A1250V-2P	1.25	3.15	4.25
3	A1250V-3P	2.50	4.40	5.50
4	A1250V-4P	3.75	5.65	6.75
5	A1250V-5P	5.00	6.90	8.00
6	A1250V-6P	6.25	8.15	9.25
7	A1250V-7P	7.50	9.40	10.50
8	A1250V-8P	8.75	10.65	11.75
9	A1250V-9P	10.00	11.90	13.00
10	A1250V-10P	11.25	13.15	14.25
11	A1250V-11P	12.50	14.40	15.50
12	A1250V-12P	13.75	15.65	16.75
13	A1250V-13P	15.00	16.90	18.00
14	A1250V-14P	16.25	18.15	19.25
15	A1250V-15P	17.50	19.40	20.50
16	A1250V-16P	18.75	20.65	21.75

PIN针	2--16	BRASS	TIN-PLATED
壳体	1	PA46 UL 94V-0	BEIGE
PART NAME	PART NO.	MATERIALS	SPEC
REV: A	APPROVE	CHECK	DRAWN
SHEET:1/1	FENG	ZENG	LIJIAN

MATERIAL:	GENERAL TOLERANCE	
UNIT: MM	X. ±0.30	X.* ±2°
SCALE: 3:1	X.X ±0.25	X.X* ±1°
SIZE: A4	X.XX ±0.15	⊕ ⊖

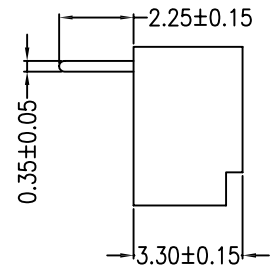
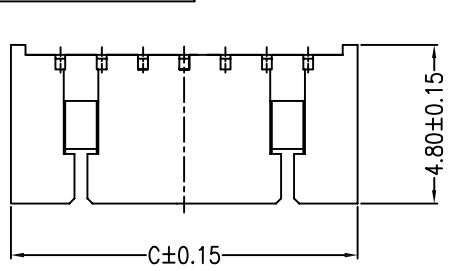
YSTZ 东莞市轩盟电子科技有限公司
 DONGGUAN YSTZ ELECTRONIC TECHNOLOGY CO.,LTD

PART NO: A1250V-NP-80E-25

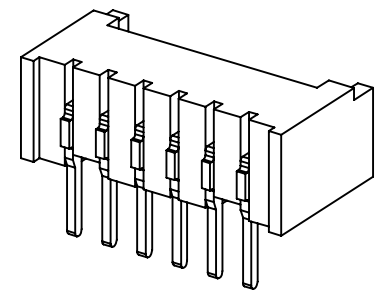
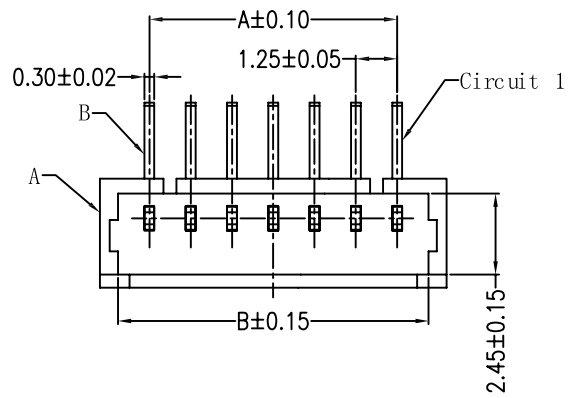
TITLE : MX1.25mm Pitch 180° Wafer

ROHS REACH

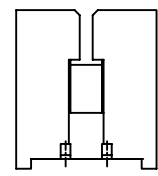
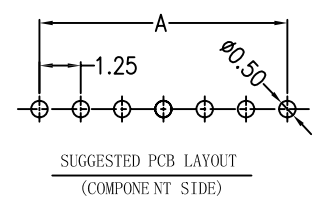
日期版次 REVISION	日期 DATE	变更内容 DESCRIPTION	核 准 APPROVALBY



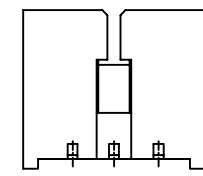
NOTES:
 CURRENT RATING: 1A AC/DC.
 VOLTAGE RATING: 125V AC/DC.
 TEMPERATURE RANGE: -25°C~+85°C.
 CONTACT RESISTANCE: 20mΩ^{MAX.}
 INSULATION RESISTANCE: 100MΩ^{MIN.}
 WITHSTANDING VOLTAGE: 500V AC/MINUTE.



poles	part no	dimensions (mm)		
		A	B	C
2	A1250R-2P	1.25	3.15	4.25
3	A1250R-3P	2.50	4.40	5.50
4	A1250R-4P	3.75	5.65	6.75
5	A1250R-5P	5.00	6.90	8.00
6	A1250R-6P	6.25	8.15	9.25
7	A1250R-7P	7.50	9.40	10.50
8	A1250R-8P	8.75	10.65	11.75
9	A1250R-9P	10.00	11.90	13.00
10	A1250R-10P	11.25	13.15	14.25
11	A1250R-11P	12.50	14.40	15.50
12	A1250R-12P	13.75	15.65	16.75
13	A1250R-13P	15.00	16.90	18.00
14	A1250R-14P	16.25	18.15	19.25
15	A1250R-15P	17.50	19.40	20.50
16	A1250R-16P	18.75	20.65	21.75



2P



3P

PIN针	2--16	BRASS	TIN-PLATED
壳体	1	PA46 UL 94V-0	BEIGE
PART NAME	PART NO.	MATERIALS	SPEC
REV: A	APPROVE	CHECK	DRAWN
SHEET:1/1	FENG	ZENG	LIJIAN

MATERIAL:	GENERAL TOLERANCE	
UNIT: MM	X. ±0.30	X.* ±2°
SCALE: 3:1	X.X ±0.25	X.X* ±1°
SIZE: A4	X.XX ±0.15	

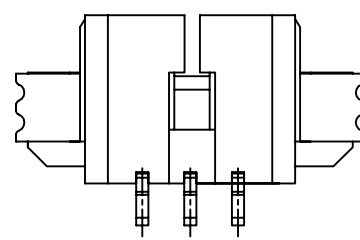
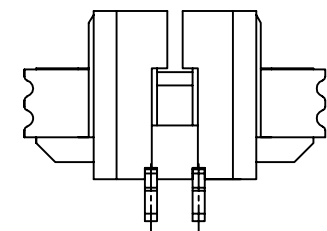
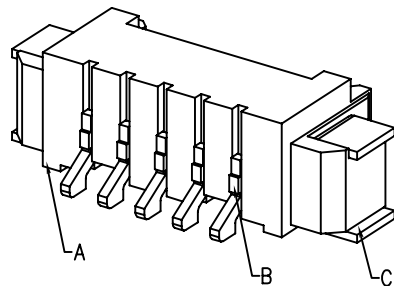
YSTZ 东莞市轩盟电子科技有限公司
 DONGGUAN YSTZ ELECTRONIC TECHNOLOGY CO.,LTD

PART NO: A1250R-NP-80E-25

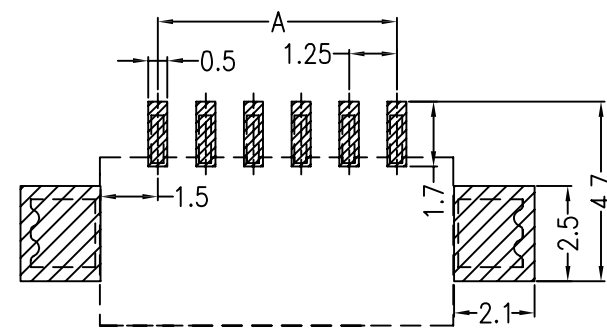
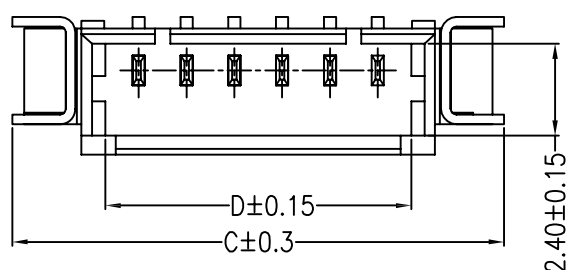
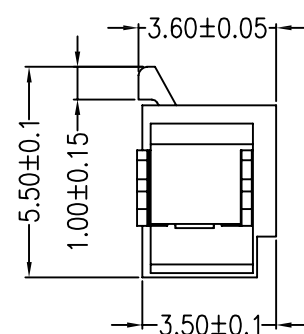
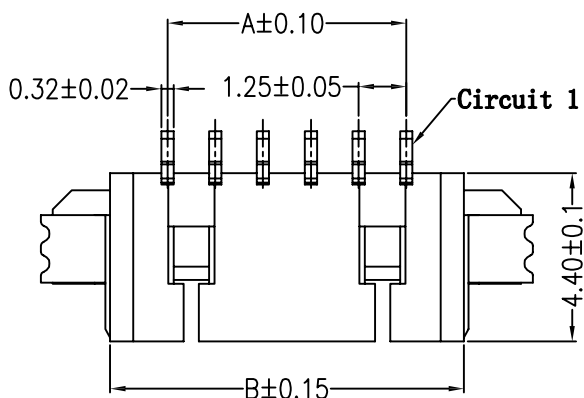
TITLE : MX1.25mm Pitch 90° Wafer

ROHS REACH

日期版次	日期	变更内容	核 准
REVISION	DATE	DESCRIPTION	APPROVAL BY



NOTES:
 CURRENT RATING: 1A AC/DC.
 VOLTAGE RATING: 125V AC/DC.
 TEMPERATURE RANGE: -25°C~+85°C.
 CONTACT RESISTANCE: 20mΩMAX.
 INSULATION RESISTANCE: 100MΩMIN.
 WITHSTANDING VOLTAGE: 500V AC/MINUTE.



poles	part no	dimensions (mm)			
		A	B	C	D
2	A1250RS-2P	1.25	4.25	7.75	3.05
3	A1250RS-3P	2.50	5.50	9.00	4.30
4	A1250RS-4P	3.75	6.75	10.25	5.55
5	A1250RS-5P	5.00	8.00	11.50	6.80
6	A1250RS-6P	6.25	9.25	12.75	8.05
7	A1250RS-7P	7.50	10.50	14.00	9.30
8	A1250RS-8P	8.75	11.75	15.25	10.55
9	A1250RS-9P	10.00	13.00	16.50	11.80
10	A1250RS-10P	11.25	14.25	17.75	13.05
11	A1250RS-11P	12.50	15.50	19.00	14.30
12	A1250RS-12P	13.75	16.75	20.25	15.55
13	A1250RS-13P	15.00	18.00	21.50	16.80
14	A1250RS-14P	16.25	19.25	22.75	18.05
15	A1250RS-15P	17.50	20.50	24.00	19.30
16	A1250RS-16P	18.75	21.75	25.25	20.55

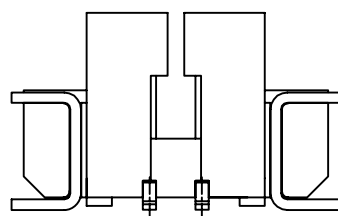
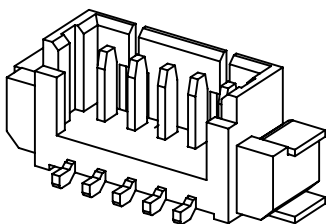
PIN针	2--16	BRASS	TIN-PLATED
定位片	2	PHOSPHOR BRONZE	TIN-PLATED
壳体	1	LCP UL 94V-0	BEIGE
PART NAME	PART NO.	MATERIALS	SPEC
REV: A	APPROVE	CHECK	DRAWN
SHEET:1/1	FENG	ZENG	LIJIAN

MATERIAL:	GENERAL TOLERANCE	
UNIT: MM	X. ±0.30	X.* ±2°
SCALE: 3:1	X.X ±0.25	X.X* ±1°
SIZE: A4	X.XX ±0.15	⊕ ⊖

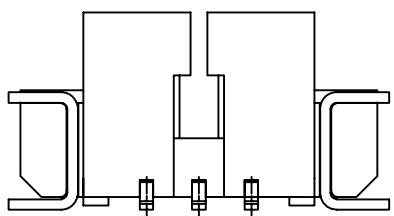
YSTZ 东莞市轩盟电子科技有限公司
 DONGGUAN YSTZ ELECTRONIC TECHNOLOGY CO.,LTD
 PART NO: A1250RS-NP-50E-25
 TITLE: MX1.25mm Pitch 90°-Smt-Wafer

ROHS REACH

日期版次	日期	变更内容	核 准
REVISION	DATE	DESCRIPTION	APPROVALBY



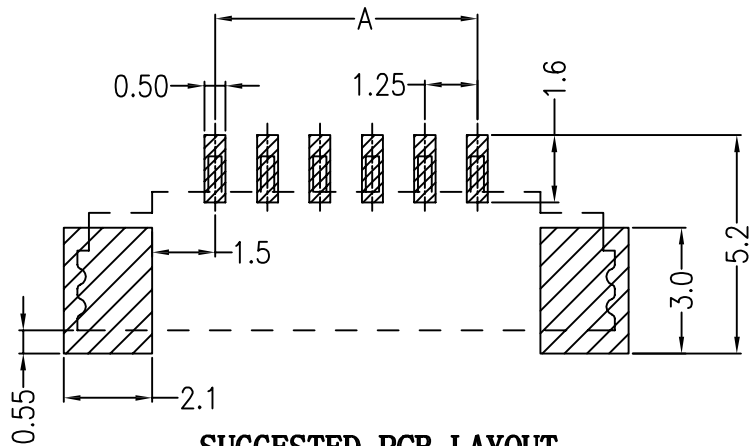
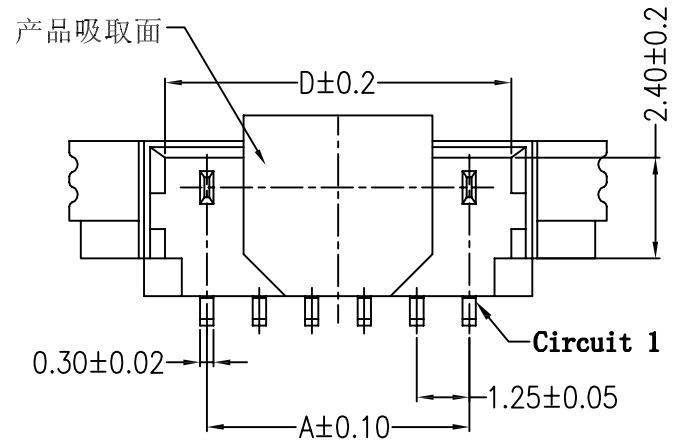
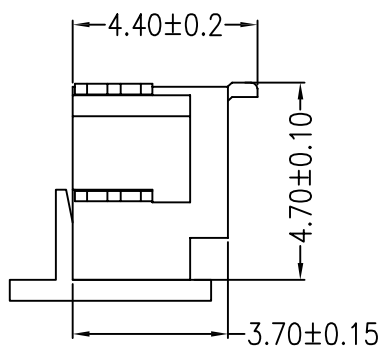
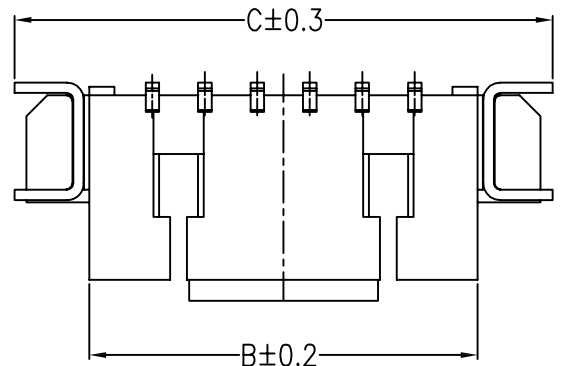
2P



3P

NOTES:

CURRENT RATING: 1A AC/DC.
 VOLTAGE RATING: 125V AC/DC.
 TEMPERATURE RANGE: -25°C~+85°C.
 CONTACT RESISTANCE: 20mΩ^{MAX.}
 INSULATION RESISTANCE: 100MΩ^{MIN.}
 WITHSTANDING VOLTAGE: 500V AC/MINUTE.



poles	part no	dimensions (mm)			
		A	B	C	D
2	A1250VS-2P	1.25	4.25	7.75	3.05
3	A1250VS-3P	2.50	5.50	9.00	4.30
4	A1250VS-4P	3.75	6.75	10.25	5.55
5	A1250VS-5P	5.00	8.00	11.50	6.80
6	A1250VS-6P	6.25	9.25	12.75	8.05
7	A1250VS-7P	7.50	10.50	14.00	9.30
8	A1250VS-8P	8.75	11.75	15.25	10.55
9	A1250VS-9P	10.00	13.00	16.50	11.80
10	A1250VS-10P	11.25	14.25	17.75	13.05
11	A1250VS-11P	12.50	15.50	19.00	14.30
12	A1250VS-12P	13.75	16.75	20.25	15.55
13	A1250VS-13P	15.00	18.00	21.50	16.80
14	A1250VS-14P	16.25	19.25	22.75	18.05
15	A1250VS-15P	17.50	20.50	24.00	19.30
16	A1250VS-16P	18.75	21.75	25.25	20.55

PIN针	2--16	BRASS	TIN-PLATED
定位片	2	PHOSPHOR BRONZE	TIN-PLATED
壳体	1	LCP UL 94V-0	BEIGE

PART NAME	PART NO.	MATERIALS	SPEC
REV: A	APPROVE	CHECK	DRAWN
SHEET:1/1	FENG	ZENG	LIJIAN

MATERIAL:	GENERAL TOLERANCE	
UNIT: MM	X. ±0.30	X.* ±2°
SCALE: 3:1	X.X ±0.25	X.X* ±1°
SIZE: A4	X.XX ±0.15	⊕ ⊖

YSTZ 东莞市轩盟电子科技有限公司
 DONGGUAN YSTZ ELECTRONIC TECHNOLOGY CO.,LTD

PART NO: A1250VS-NP-50E-25

TITLE : MX1.25mm Pitch 180°-Smt-Wafer

ROHS REACH

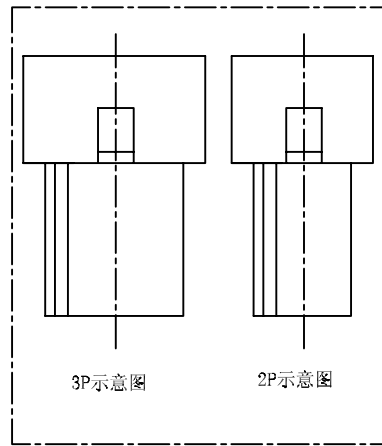
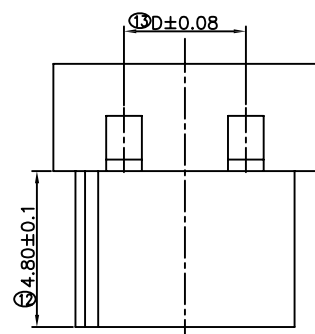
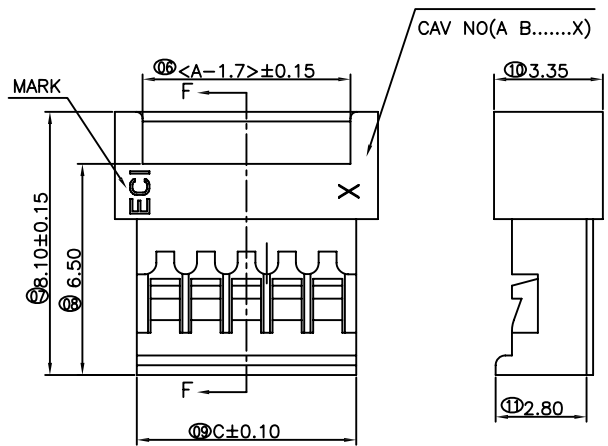
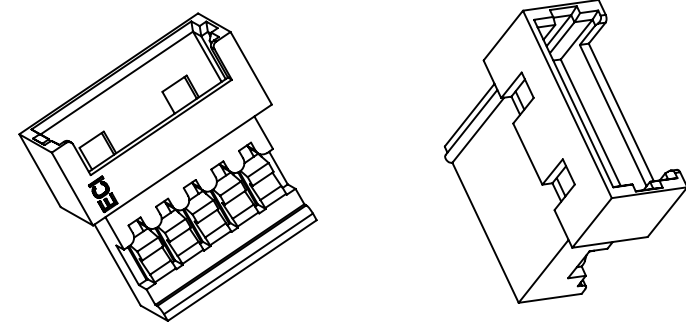
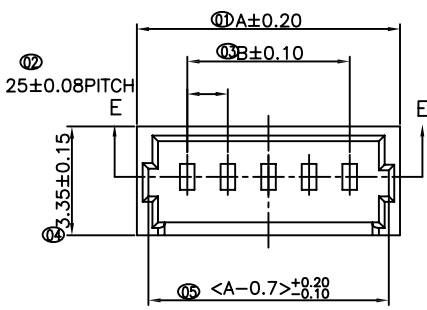
日期版次 REVISION	日期 DATE	变更内容 DESCRIPTION	核 准 APPROVALBY

SPECIFICATIONS

- Voltage rating: 125V DC/AC (rms)
- Current rating: 1.0A
- Withstand voltage: 500V AC(rms)
- Working Temperature: -25°C +85°C
- Insulation resistance: ≥500MΩ
- Contact resistance: ≤20MΩ

HOUSING

- PART NO: B1259H
- MATERIAL: NYLON66 94V-0
- COLOR: NATURAL(WHITE)
- USE WITH:
Terminal: B1259T
- Q'TY: 1000PCS/BAG



poles	pBrt no.	dimensions (mm)			
		B	B	C	D
2	B1250H-2P	4.25	1.25	3.00	/
3	B1250H-3P	5.50	2.50	4.25	/
4	B1250H-4P	6.75	3.75	5.50	2.50
5	B1250H-5P	8.00	5.00	6.75	3.75
6	B1250H-6P	9.25	6.25	8.00	5.00
7	B1250H-7P	10.50	7.50	9.25	6.25
8	B1250H-8P	11.75	8.75	10.50	7.50
9	B1250H-9P	13.00	10.00	11.75	8.75
10	B1250H-10P	14.25	11.25	13.00	10.00

MATERIAL: PA66UL94-V0	GENERAL TOLERANCE	
UNIT: MM	X. ±0.30	X.* ±2°
SCALE: 3:1	X.X ±0.25	X.X* ±1°
SIZE: A4	X.XX ±0.15	⊕ ⊖

YSTZ 东莞市轩盟电子科技有限公司
DONGGUAN YSTZ ELECTRONIC TECHNOLOGY CO.,LTD

PART NO: B1259H-NP-10E-01
TITLE: MX1.25MM PITCH Female HOUSING

REV: A	APPROVE	CHECK	DRAWN
SHEET: 1/1	FENG	ZENG	LIJIAN

ROHS REACH

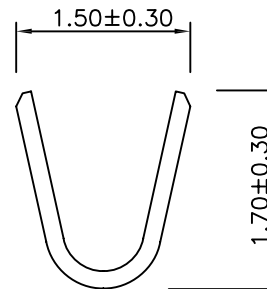
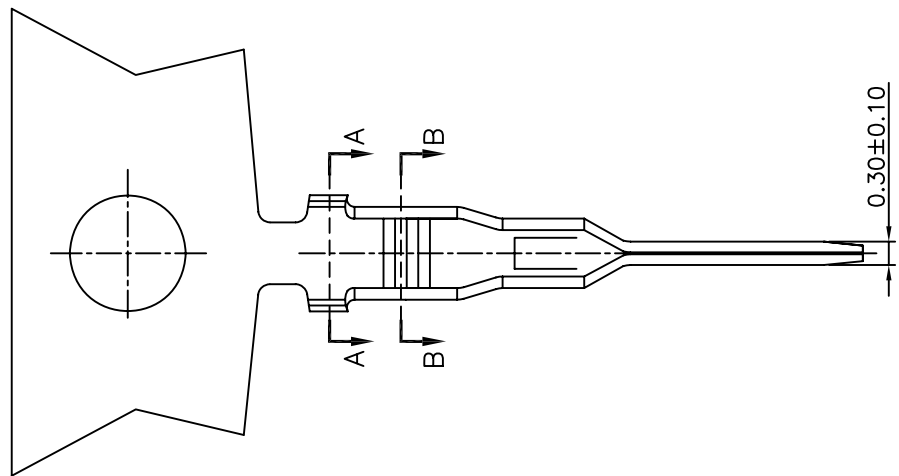
日期版次 REVISION	日期 DATE	变更内容 DESCRIPTION	核 准 APPROVALBY

SPECIFICATIONS

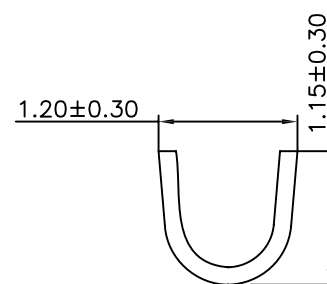
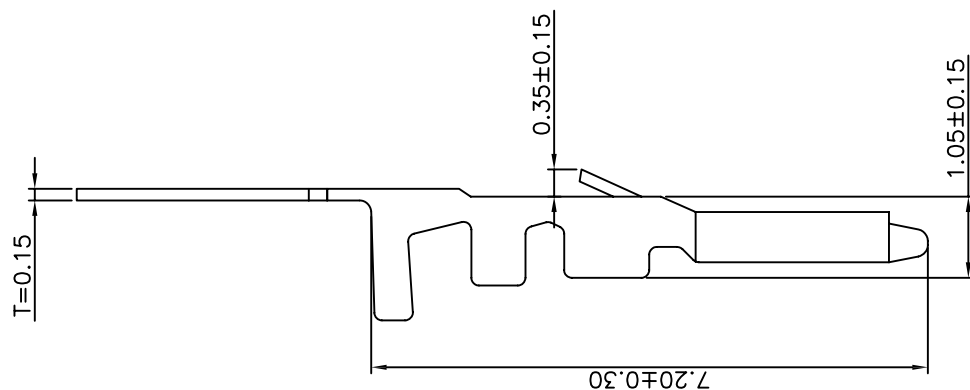
- Voltage rating: 125V DC/AC (rms)
- Current rating: 1.0A
- Withstand voltage: 500V AC(rms)
- Working Temperature: -25°C +85°C
- Insulation resistance: ≥500MΩ
- Contact resistance: ≤20mΩ

TERMINAL

- PART NO: B1259T
- THICKNESS: 0.15MM
- MATERIAL: PHOSPHOR BRONZE
- FINISH: TIN-PLATED
- APPLICABLE WIRE: AWG#28-#32
- USE WITH: Housing: B1259H
- Q'TY: 15000PCS/REEL



SECTION:A-A



SECTION:B-B

REV: A	APPROVE	CHECK	DRAWN	MATERIAL:	GENERAL TOLERANCE		东莞市轩盟电子科技有限公司 DONGGUAN YSTZ ELECTRONIC TECHNOLOGY CO.,LTD
SHEET:1/1	FENG	ZENG	LIJIAN	UNIT: MM	X. ±0.30	X.* ±2°	
				SCALE: 3:1	X.X ±0.25	X.X* ±1°	
				SIZE: A4	X.XX ±0.15		PART NO: B1259T-PC-1E-01
							TITLE : MX1.25mm Pitch Male Terminal