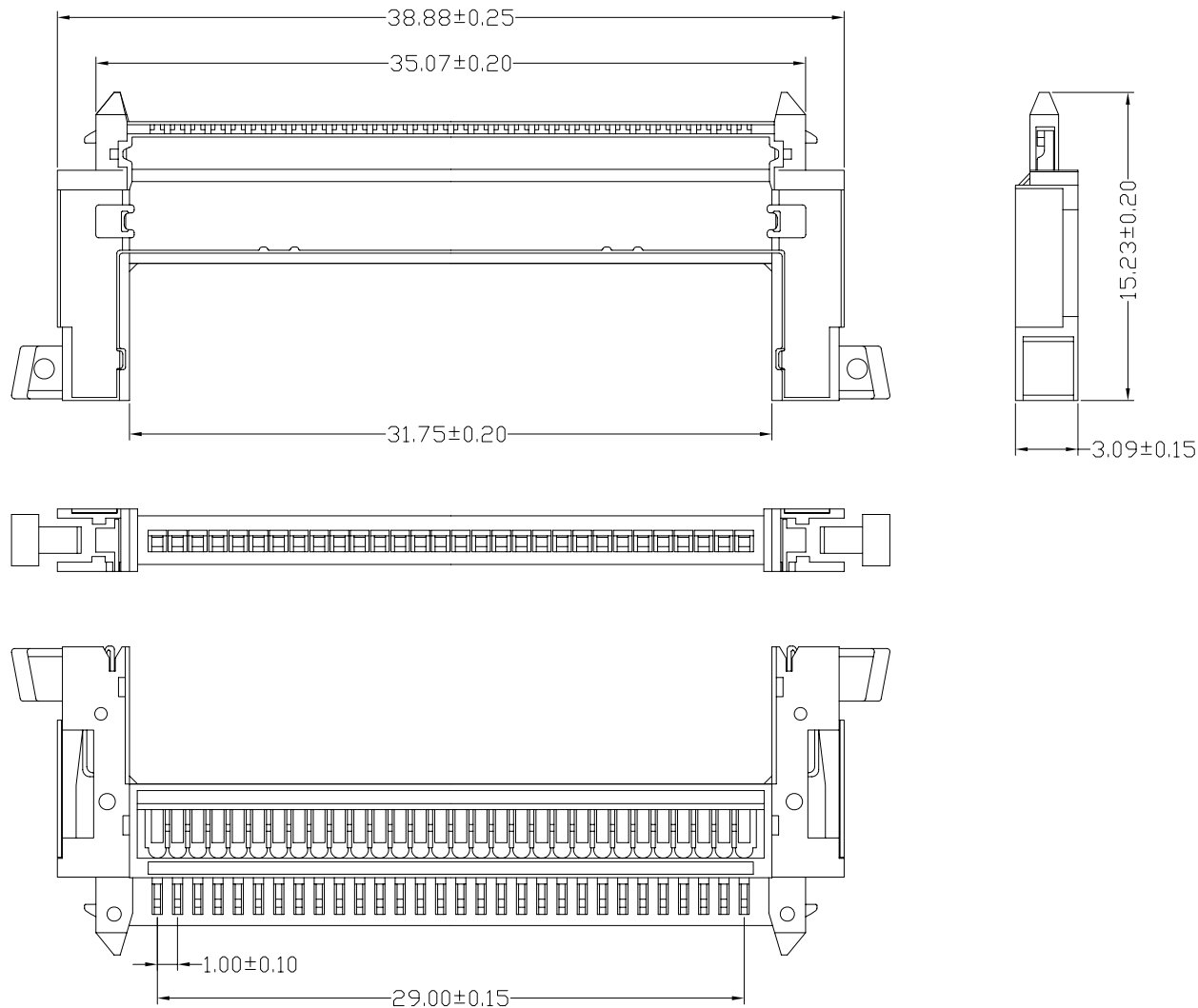


ROHS REACH

日期版次	日期	变更内容	核 准
REVISION	DATE	DESCRIPTION	APPROVALBY



■ SPECIFICATIONS

- Voltage rating: 200V AC/DC
- Current rating: 0.8A AC/DC
- Withstanding Voltage: 500V AC/minute
- Insulation resistance: 100MΩ Min.
- Temperature range: -40°C - +80°C
- Contact resistance: 30mΩ Max.

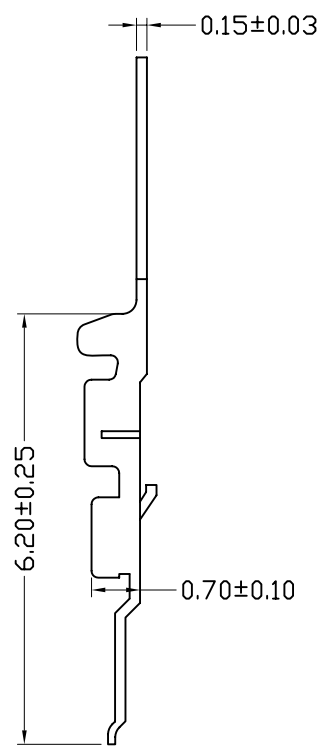
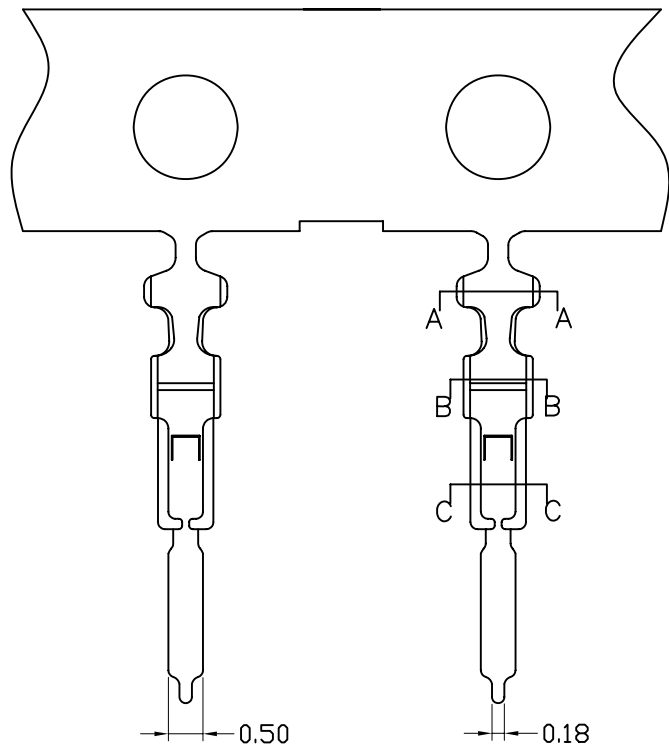
■ HOUSING

- Part No.: A1010HL-30
- Material:  
Housing: Nylon46 UL 94V-0  
Shell: Sus
- Q'TY: 70 Pcs/Box

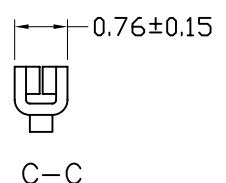
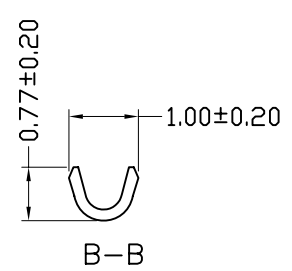
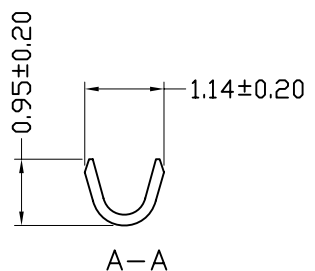
				MATERIAL:	GENERAL TOLERANCE		东莞市轩盟电子科技有限公司 DONGGUAN YSTZ ELECTRONIC TECHNOLOGY CO.,LTD
REV: A	APPROVE	CHECK	DRAWN	UNIT: MM	X. ±0.30	X.* ±2°	
SHEET:1/1	FENG	ZENG	LIJIAN	SCALE: 3:1	X.X ±0.25	X.X* ±1°	PART NO: A1010HL-30P-28
				SIZE: A4	X.XX ±0.15		TITLE : FI-E 1.00MM PITCH HOUSING

ROHS REACH

日期版次	日期	变更内容	核 准
REVISION	DATE	DESCRIPTION	APPROVALBY



- TERMINAL
- Part No.: A1011T
  - Thickness: 0.15mm
  - Material: Phosphor Bronze
  - Finish: Gold Plated
  - Wire Range: AWG#30-#36
  - Q'ty: 20,000PCS/Reel



REV: A	APPROVE	CHECK	DRAWN	MATERIAL:	GENERAL TOLERANCE	东莞市轩盟电子科技有限公司 DONGGUAN YSTZ ELECTRONIC TECHNOLOGY CO.,LTD
SHEET:1/1	FENG	ZENG	LIJIAN	UNIT: MM	X. ±0.30 X.* ±2°	
				SCALE: 3:1	X.X ±0.25 X.X* ±1°	
				SIZE: A4	X.XX ±0.15	PART NO: A1011T-PC-2E-28
						TITLE : FI-X 1.00mm Pitch TERMINAL