

# ROHS REACH

## SPECIFICATIONS

备注 (Remark)

1. 材料 (MATERIAL)

胶芯: PA6T+30%G. F UL94V-0, 颜色: 黑色

Housing: PA6T+30%G. F UL94V-0, Color: Black

四方针: 黄铜, 镀底30μMIN, 表面镀金0.8μMIN

Contact: Brass, 0.8μmin Gold Plating Over All

30μmin Nickel Underplating Over All

2. 特性 (characteristics):

额定电流: 0.75 AMP

Rating Current: 0.75 AMP

接触阻抗: 20MΩMAX

Contact Resistance: 20mΩ Max

绝缘阻抗: 1000MΩ MIN

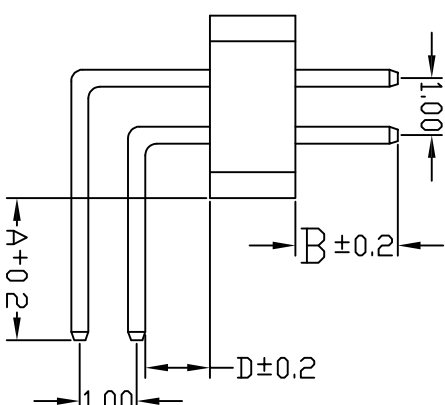
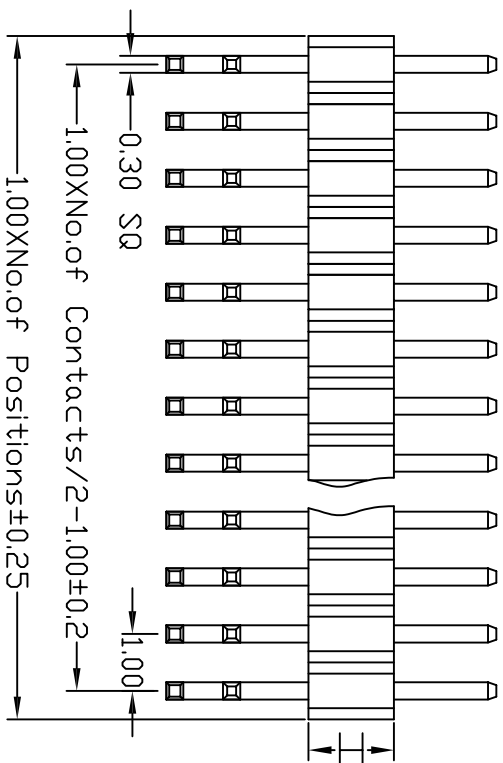
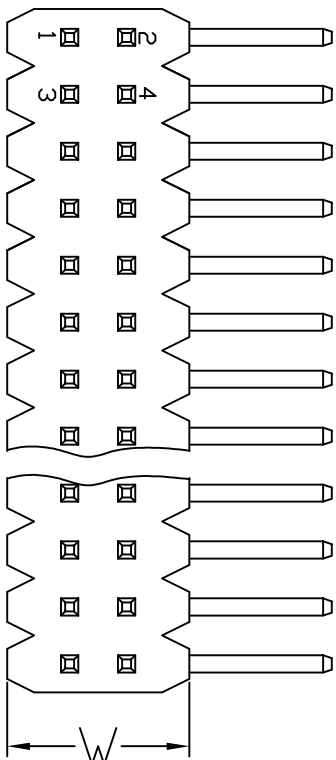
Insulation Resistance: 1000MΩ Min

耐电压: AC 500V

Withstand Voltage: 500V AC/DC

温度范围: -40°C to +105°C

Operation Temperature: -40°C to +105°C



Dimension antitheses list

ITEM	A	B	H	D	W				
Standard	1.8	1.8	2.5	1	1.5	2.1	1.2	2.3	3.2
Alternate									

**YSITZ 东莞市轩盟电子科技有限公司**  
DONGGUAN YSITZ ELECTRONIC TECHNOLOGY CO.,LTD

日期版本	日期	变更内容	核准
REVISION	DATE	DESCRIPTION	APPROVAL BY

REV: A	APPROVE	CHECK	DRAWN	MATERIAL:	GENERAL	TOLERANCE	PART NO: P1000WR-N-20-XXXX
SHEET:1/1	FENG	ZENG	LIJIAN	UNIT: MM	X: ±0.30	X*: ±2°	TITLE: 1.00MM 双排针 塑高1.0 90度 DIP
				SCALE: 3:1	X.X ±0.25	X.X* ±1°	
				SIZE: A4	XXX ±0.15	⌀	