

ROHS REACH

日期版次 REVISION	日期 DATE	变更内容 DESCRIPTION	核准 APPROVAL

SPECIFICATIONS

备注 (Remark)

1. 材料 (MATERIAL)

胶芯: PA6T+30%G.F UL94V-0, 颜色: 黑色

Housing: PA6T+30%G.F UL94V-0, Color: Black

四方针: 黄铜, 镍底30u"MIN, 表面镀金0.8u"MIN

Contact: Brass, 0.8u"min Gold Plating Over All
30u"min Nickel Underplating Over All

2. 特性 (characteristics):

额定电流: 2.0 AMP

Rating Current: 2.0 AMP

接触阻抗: 20MΩ MAX

Contact Resistance: 20mΩ Max

绝缘阻抗: 1000MΩ MIN

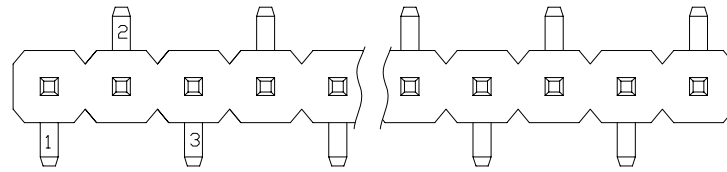
Insulation Resistance: 1000MΩ Min

耐电压: AC 500V

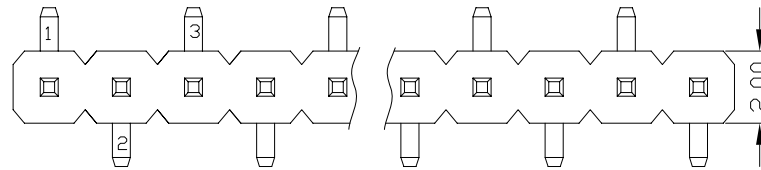
Withstand Voltage: 500V AC/DC

温度范围: -40°C to +105°C

Operation Temperature: -40°C to +105°C



TYPE 1

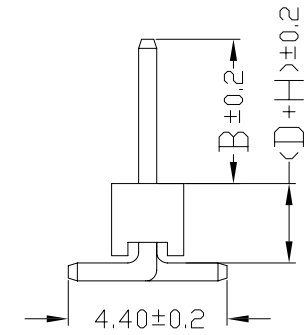
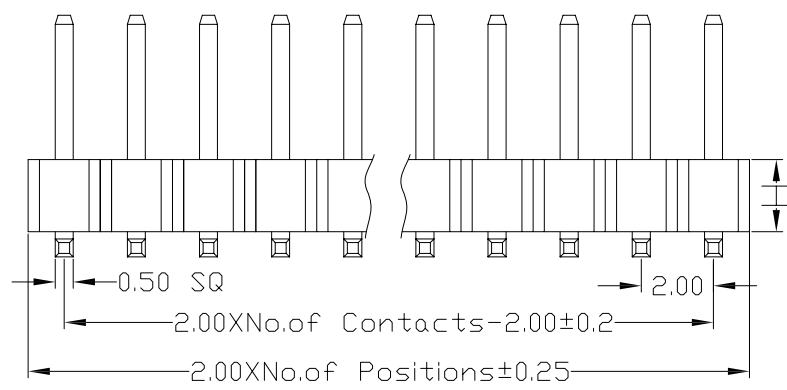
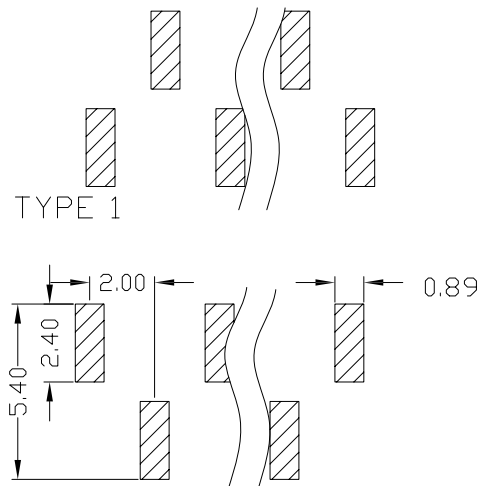


TYPE 2

Ordering Information

P2000VS-11 XX XX X XX XXX X X

No. of Pins Per Row 1-40	Contact Plating Full of Gold	Semi-gold	Insulator Material	HEIGHT OF HOUSING	Length of Terminal	Packing Bag	TYPE1: TYPE2:
A0=0.8U'	A1=1U'	B0=1U'	B=BK-PA6T	101.0mm		A=PE Bag	
A2=1.5U'	A3=2U'	B0=1.5U'	C=BK-PA9T	151.5mm		T=Tape&Reel	
A4=3U'	A5=5U'	B0=2U'	D=BK-LCP	202.0mm		C=Tube	
A6=10U'	A7=15U'	B0=3U'				D=Tube+Cap	
A8=20U'	A9=30U'	B0=5U'				E=Tray	
		B0=10U'					
		B0=15U'					
		B0=20U'					
		B0=30U'					
			S1=Ordinary Tin Plated				
			S2=Matte Tin Plated				
			S3=Tin-platde High-temperature				



Dimension antitheses list				
ITEM	B	B	D	
Standard	4	1.5	2	0.75
Alternate				

REV: A	APPROVE	CHECK	DRAWN	MATERIAL:	GENERAL TOLERANCE
SHEET:1/1	FENG	ZENG	LIJIAN	UNIT: MM	X. ±0.30 X.* ±2*
				SCALE: 3:1	X.X ±0.25 X.X* ±1*
				SIZE: A4	X.XX ±0.15

YSTZ 东莞市轩盟电子科技有限公司
DONGGUAN YSTZ ELECTRONIC TECHNOLOGY CO.,LTD

PART NO: P2000VS-11XXXXXXXXXXXXX

TITLE: 2.00MM 单排针 SMT

ROHS REACH

日期版次 REVISION	日期 DATE	变更内容 DESCRIPTION	核准 APPROVALBY

SPECIFICATIONS

备注 (Remark)

1. 材料 (MATERIAL)

胶芯: PA6T+30%G.F UL94V-0, 颜色: 黑色

Housing: PA6T+30%G.F UL94V-0, Color: Black

四方针: 黄铜, 镍底30u"MIN, 表面镀金0.8u"MIN

Contact: Brass, 0.8u"min Gold Plating Over All
30u"min Nickel Underplating Over All

2. 特性 (characteristics):

额定电流: 2.0 AMP

Raring Current: 2.0 AMP

接触阻抗: 20MΩ MAX

Contact Resistance: 20mΩ Max

绝缘阻抗: 1000MΩ MIN

Insulation Resistance: 1000MΩ Min

耐电压: AC 500V

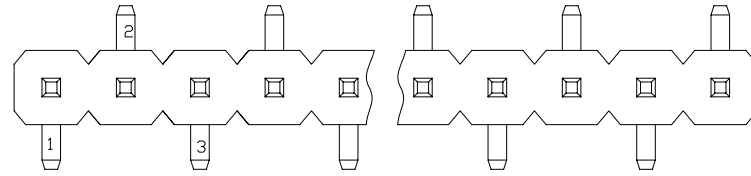
Withstand Voltage: 500V AC/DC

温度范围: -40°C to +105°C

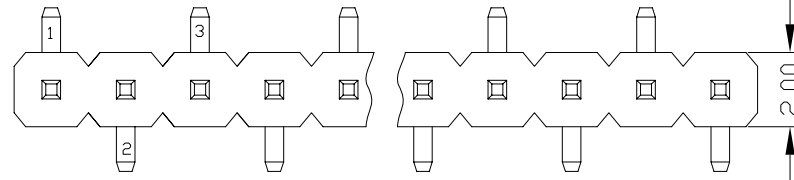
Operation Temperature: -40°C to +105°C

TYPE 1

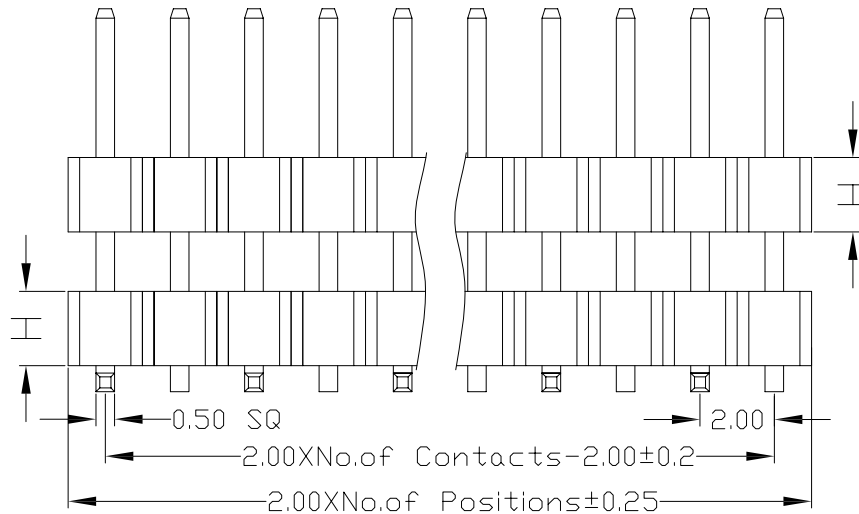
TYPE 2



TYPE 1



TYPE 2

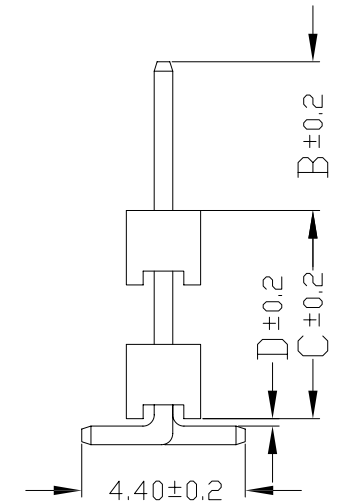


Ordering Information

P2000VS-21 XX XX X XX XXX X X

No. of Pins Per Row 1-40	Contact Plating Full of Glod A0=0.8U' A1=1U' A2=1.5U' A3=2U' A4=3U' A5=5U' A6=10U' A7=15U' A8=20U' A9=30U'	Semi-gold B0=0.8U' B0=1U' B0=1.5U' B0=2U' B0=3U' B0=5U' B0=10U' B0=15U' B0=20U' B0=30U'	Insulatot Material: B=BK-PA6T C=BK-PA9T D=BK-LCP	HEIGHT OF HOUSING 101.0mm 151.5mm 202.0mm	Length of Terminal	Packing A=PE Bag T=Tape&Reel C=Tube D=Tube+Cap E=Tray	TYPE1: TYPE2:
--------------------------	--	---	--	---	--------------------	---	---------------

S1=Ordinary Tin Plated
S2=Matte Tin Plated
S3=Tin-platde High-temperature



Dimension antitheses list

ITEM	B	H	D	C
Standard	2.8	4	1	1.5
Alternate	2	0	0.75	

REV: A	APPROVE	CHECK	DRAWN	MATERIAL:	GENERAL TOLERANCE
SHEET:1/1	FENG	ZENG	LIJIAN	UNIT: MM	X. ±0.30 X.* ±2*
				SCALE: 3:1	X.X ±0.25 X.X* ±1*
				SIZE: A4	X.XX ±0.15

YSTZ 东莞市轩盟电子科技有限公司
DONGGUAN YSTZ ELECTRONIC TECHNOLOGY CO.,LTD

PART NO: P2000VS-21XXXXXXXXXXXXX

TITLE: 2.00MM 单排针 双塑 SMT