

ROHS REACH

日期版次 REVISION	日期 DATE	变更内容 DESCRIPTION	核准 APPROVAL

SPECIFICATIONS

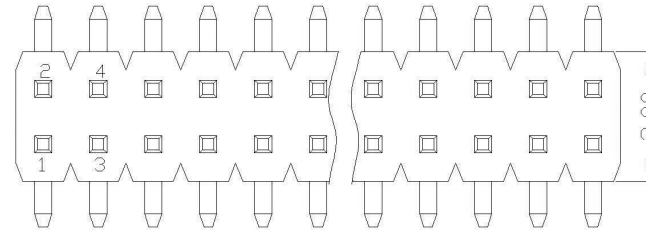
备注 (Remark)

1. 材料 (MATERIAL)

胶芯: PA6T+30%G.F UL94V-0, 颜色: 黑色
 Housing: PA6T+30%G.F UL94V-0, Color: Black
 四方针: 黄铜, 镍底30U"MIN, 表面镀金0.8U"MIN
 Contact: Brass, 0.8u"min Gold Plating Over All
 30u"min Nickel Underplating Over All

2. 特性 (characteristics):

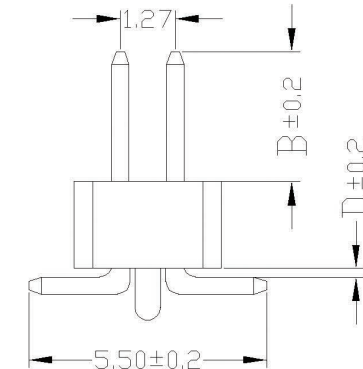
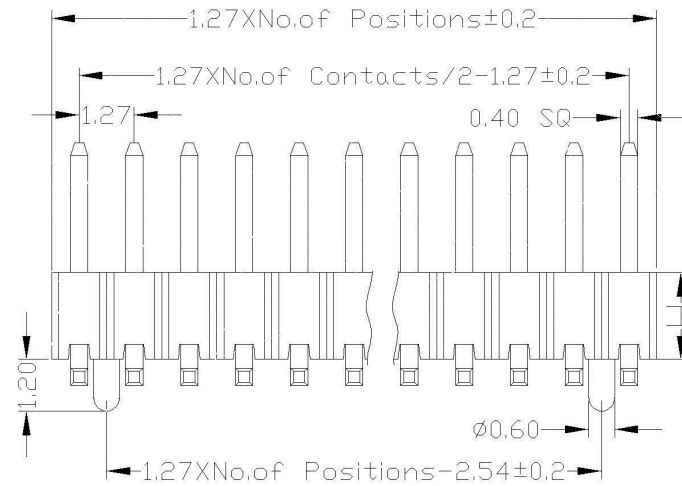
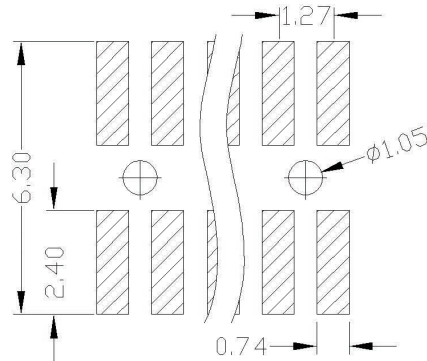
额定电流: 1.0 AMP
 Raring Current: 1.0 AMP
 接触阻抗: 20MΩ MAX
 Contact Resistance: 20mΩ Max
 绝缘阻抗: 1000MΩ MIN
 Insulation Resistance: 1000MΩ Min
 耐电压: AC 500V
 Withstand Voltage: 500V AC/DC
 温度范围: -40°C to +105°C
 Operation Temperature: -40°C to +105°C



Ordering Information

P1270VS-12 XX XX X XX XXX X 4

No.of Pins 2-50	Contact Plating Full of Glod A0=0.8U" A1=1U" A2=1.5U" A3=2U" A4=3U" A5=5U" A6=10U" A7=15U" A8=20U" A9=30U"	Semi-gold B0=0.8U" B0=1U" B0=1.5U" B0=2U" B0=3U" B0=5U" B0=10U" B0=15U" B0=20U" B0=30U"	Insulatot Material B=BK-PA6T C=BK-PA9T D=BK-LCP	HEIGHT OF HOUSING 16±1.6MM 20±2.0mm 25±2.54mm	Length of Terminal	Packing A=PE Bag T=Tape&Reel C=Tube D=Tube+Cap E=Tray
	S1=Ordinary Tin Plated S2=Matte Tin Plated S3=Tin-platde High-temperature					



Dimension antitheses list								
ITEM	D		B			H		
Standard	0	1.2	1.8	3	4	1.6	2	2.54
Alternate								

REV: A	APPROVE	CHECK	DRAWN	MATERIAL:	GENERAL TOLERANCE	
SHEET:1/1	FENG	ZENG	LIJIAN	UNIT: MM	X. ±0.30	X.* ±2°
				SCALE: 3:1	X.X ±0.25	X.X* ±1°
				SIZE: A4	X.XX ±0.15	

YSTZ 东莞市轩盟电子科技有限公司
 DONGGUAN YSTZ ELECTRONIC TECHNOLOGY CO.,LTD

PART NO: P1270VS-12XXXXXXXXXXXX4

TITLE : 1.27MM 双排针 SMT 带定位柱

ROHS REACH

日期版次 REVISION	日期 DATE	变更内容 DESCRIPTION	核 准 APPROVAL

SPECIFICATIONS

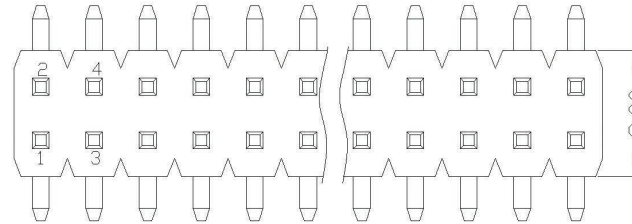
备注 (Remark)

1. 材料 (MATERIAL)

胶芯: PA6T+30%G.F UL94V-0, 颜色: 黑色
 Housing: PA6T+30%G.F UL94V-0, Color: Black
 四方针: 黄铜, 镍底30u"MIN, 表面镀金0.8u"MIN
 Contact: Brass, 0.8u"min Gold Plating Over All
 30u"min Nickel Underplating Over All

2. 特性 (characteristics):

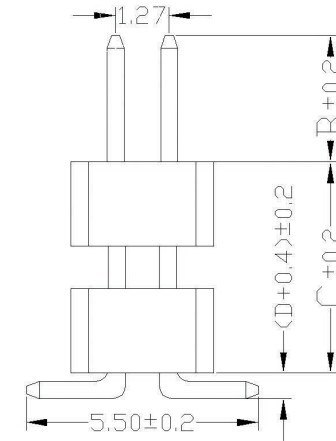
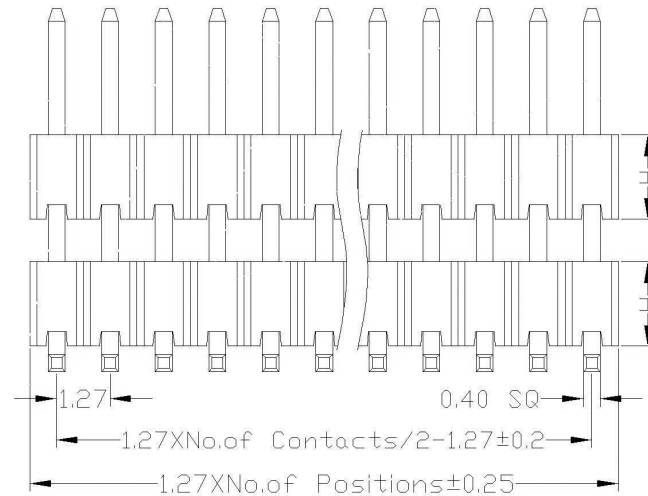
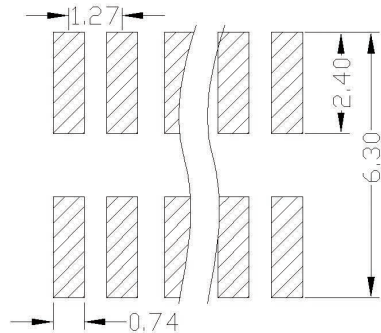
额定电流: 1.0 AMP
 Raring Current: 1.0 AMP
 接触阻抗: 20MΩ MAX
 Contact Resistance: 20mΩ Max
 绝缘阻抗: 1000MΩ MIN
 Insulation Resistance: 1000MΩ Min
 耐电压: AC 500V
 Withstand Voltage: 500V AC/DC
 温度范围: -40°C to +105°C
 Operation Temperature: -40°C to +105°C



Ordering Information

P1270VS-22 XX XX X XX XXX X 3

No.of Pins Per Row 2-50	Contact Plating Full of Glod A0=0.8U' A1=1U' A2=1.5U' A3=2U' A4=3U' A5=5U' A6=10U' A7=15U' A8=20U' A9=30U'	Semi-gold B0=0.8U' B1=1U' B2=1.5U' B3=2U' B4=3U' B5=5U' B6=10U' B7=15U' B8=20U' B9=30U'	Insulatot Material: B=BK-PA6T C=BK-PA9T D=BK-LCP	HEIGHT OF HOUSING 161.6MM 20±2.0mm 25±2.54mm	Length of Terminal	Packing A=PE Bag T=Tape&Reel C=Tube D=Tube+Cap E=Tray
	S1=Ordinary Tin Plated	S2=Matte Tin Plated	S3=Tin-platde High-temperature			



Dimension antitheses list								
ITEM	D		B			H		
Standard	0	1.2	1.8	3	4	1.6	2	2.54
Alternate								

REV: A	APPROVE	CHECK	DRAWN	MATERIAL:	GENERAL TOLERANCE	
SHEET:1/1	FENG	ZENG	LIJIAN	UNIT: MM	X. ±0.30	X.* ±2*
				SCALE: 3:1	X.X ±0.25	X.X* ±1*
				SIZE: A4	X.XX ±0.15	

YSTZ 东莞市轩盟电子科技有限公司
 DONGGUAN YSTZ ELECTRONIC TECHNOLOGY CO.,LTD

PART NO: P1270VS-22XXXXXXXXXXXX3

TITLE : 1.27MM 双排针 双塑 SMT

ROHS REACH

日期版次 REVISION	日期 DATE	变更内容 DESCRIPTION	核 准 APPROVAL

SPECIFICATIONS

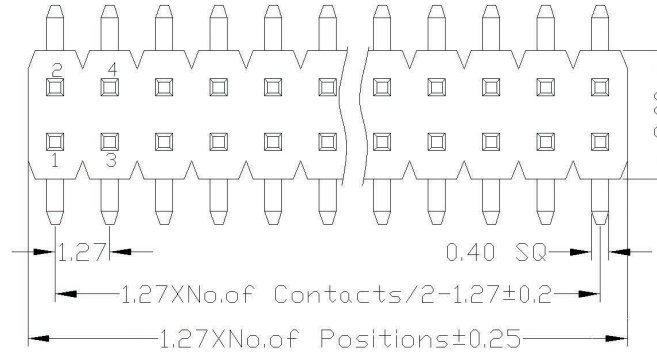
备注 (Remark)

1. 材料 (MATERIAL)

胶芯: PA6T+30%G.F UL94V-0, 颜色: 黑色
 Housing: PA6T+30%G.F UL94V-0, Color: Black
 四方针: 黄铜, 镍底30U"MIN, 表面镀金0.8U"MIN
 Contact: Brass, 0.8u"min Gold Plating Over All
 30u"min Nickel Underplating Over All

2. 特性 (characteristics):

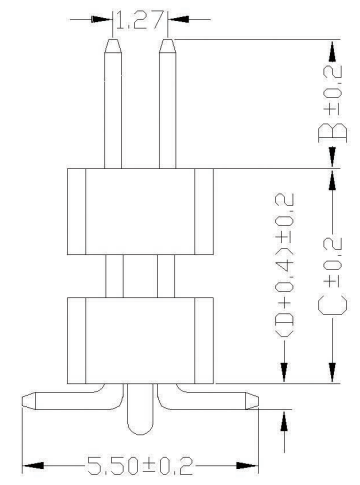
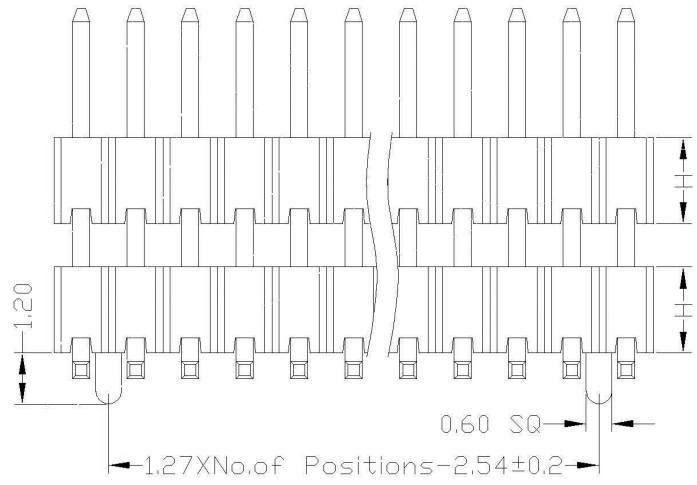
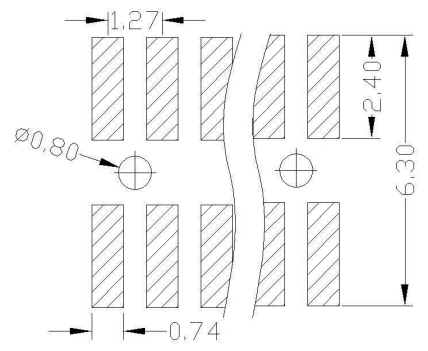
额定电流: 1.0 AMP
 Raring Current: 1.0 AMP
 接触阻抗: 20MΩ MAX
 Contact Resistance: 20mΩ Max
 绝缘阻抗: 1000MΩ MIN
 Insulation Resistance: 1000MΩ Min
 耐电压: AC 500V
 Withstand Voltage: 500V AC/DC
 温度范围: -40°C to +105°C
 Operation Temperature: -40°C to +105°C



Ordering Information

P1270VS-22 XX XX X XX XXX X 4

No.of Pins Per Row 2-50	Contact Plating Full of Glod A0=0.8U" A1=1U" A2=1.5U" A3=2U" A4=3U" A5=5U" A6=10U" A7=15U" A8=20U" A9=30U"	Semi-gold B0=0.8U" B0=1U" B0=1.5U" B0=2U" B0=3U" B0=5U" B0=10U" B0=15U" B0=20U" B0=30U"	Insulatot Material B=BK-PA6T C=BK-PA9T D=BK-LCP	HEIGHT OF HOUSING 161.6MM 20±2.0mm 25±2.54mm	Length of Terminal	Packing A=PE Bag T=Tape&Reel C=Tube D=Tube+Cap E=Tray
	S1=Ordinary Tin Plated S2=Matte Tin Plated S3=Tin-platde High-temperature					



Dimension antitheses list								
ITEM	D		B			H		
Standard	0	1.2	1.8	3	4	1.6	2	2.54
Alternate								

REV: A	APPROVE	CHECK	DRAWN	MATERIAL:	GENERAL TOLERANCE	
SHEET:1/1	FENG	ZENG	LIJIAN	UNIT: MM	X. ±0.30	X.* ±2*
				SCALE: 3:1	X.X ±0.25	X.X* ±1*
				SIZE: A4	X.XX ±0.15	

YSTZ 东莞市轩盟电子科技有限公司
 DONGGUAN YSTZ ELECTRONIC TECHNOLOGY CO.,LTD

PART NO: P1270VS-22XXXXXXXXXXXX4

TITLE : 1.27MM 双排针 双塑 SMT 带定位柱