

ROHS REACH

日期版次 REVISION	日期 DATE	变更内容 DESCRIPTION	核 准 APPROVAL

SPECIFICATIONS

备注 (Remark)

1. 材料 (MATERIAL)

胶芯: LCP+30%G.F UL94V-0, 颜色: 黑色

Housing: LCP+30%G.F UL94V-0, Color: Black

端子: 磷/青铜, 镍底30u"MIN, 表面镀金1u"MIN

Contact: Phosphor bronze, 1u"min Gold Plating Over All
30u"min Nickel Underplating Over All

2. 特性 (characteristics):

额定电流: 7 AMP

Rating Current: 7 AMP

接触阻抗: 20MΩ MAX

Contact Resistance: 20mΩ Max

绝缘阻抗: 1000MΩ MIN

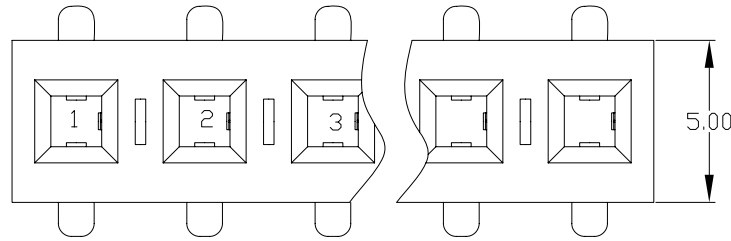
Insulation Resistance: 1000MΩ Min

耐电压: AC 500V

Withstand Voltage: 500V AC/DC

温度范围: -40°C to +105°C

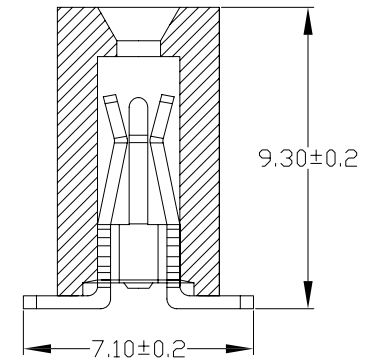
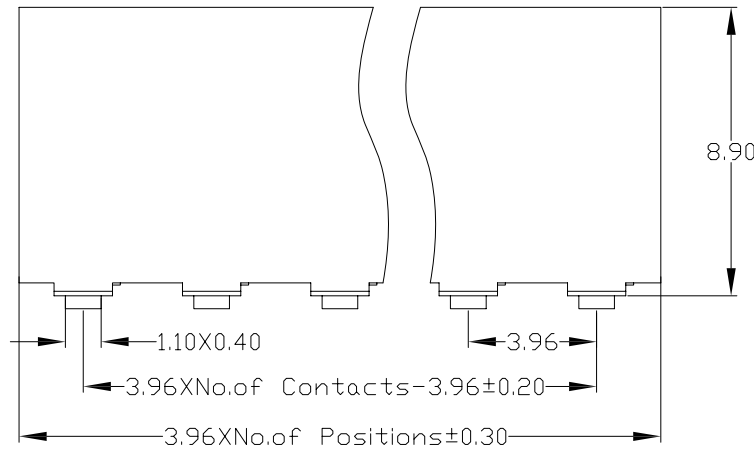
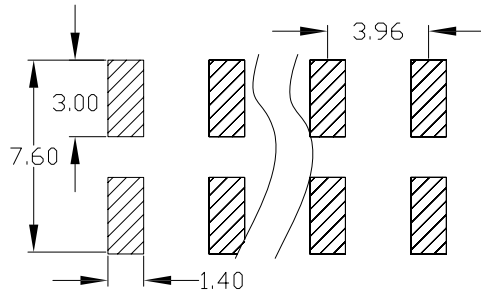
Operation Temperature: -40°C to +105°C



Ordering Information

F3960VS-11 XX XX D 89 X 1

No. of Pins Per Row 1-30	Contact Plating Full of Gold	Semi-gold	Insulator Material: D/LCP	HEIGHT OF HOUSING 89/8.90mm	Packing A=PE Bag B=Tape&Reel C=Tube D=Tube+Cap E=Tray
A0=0.8U'	B0=0.8U'				
A1=1U'	B0=1.5U'				
A2=1.5U'	B0=2U'				
A3=2U'	B0=3U'				
A4=3U'	B0=5U'				
A5=5U'	B0=10U'				
A6=10U'	B0=15U'				
A7=15U'	B0=20U'				
A8=20U'	B0=30U'				
A9=30U'					
	S1=Ordinary Tin Plated				
	S2=Matte Tin Plated				
	S3=Tin-platde High-temperature				



				MATERIAL:	GENERAL TOLERANCE		东莞市轩盟电子科技有限公司 DONGGUAN YSTZ ELECTRONIC TECHNOLOGY CO.,LTD
REV: A	APPROVE	CHECK	DRAWN	UNIT: MM	X. ±0.30	X.* ±2°	
SHEET: 1/1	FENG	ZENG	LIJIAN	SCALE: 3:1	X.X ±0.25	X.X* ±1°	
				SIZE: A4	X.XX ±0.15		
				PART NO: F3960VS-11XXXXD89X1			TITLE: 3.96MM 排母 塑高8.9 SMT