

ROHS REACH

日期版次	日期	变更内容	核 准
REVISION	DATE	DESCRIPTION	APPROVAL

SPECIFICATIONS

备注 (Remark)

1. 材料 (MATERIAL)

胶芯: PA6T+30%G.F UL94V-0, 颜色: 黑色

Housing: PA6T+30%G.F UL94V-0, Color: Black

端子: 磷/青铜, 镍底30U"MIN, 表面镀金1U"MIN

Contact: Phosphor bronze, 1u"min Gold Plating Over All
30u"min Nickel Underplating Over All

2. 特性 (characteristics):

额定电流: 2AMP

Rated Current: 2AMP

接触阻抗: 20MΩ MAX

Contact Resistance: 20mΩ Max

绝缘阻抗: 1000MΩ MIN

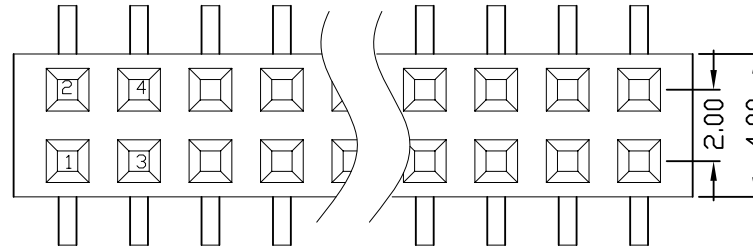
Insulation Resistance: 1000MΩ Min

耐电压: AC 500V

Withstand Voltage: 500V AC/DC

温度范围: -40°C to +105°C

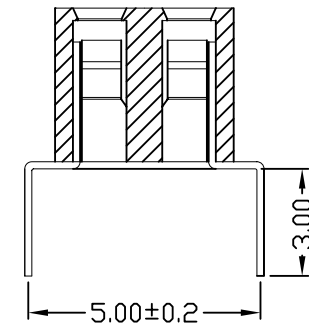
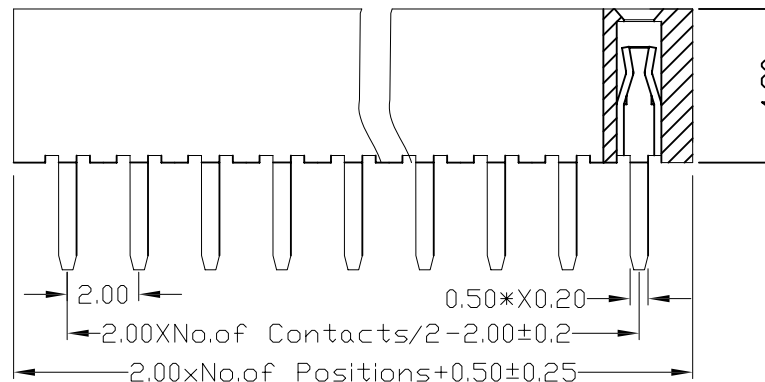
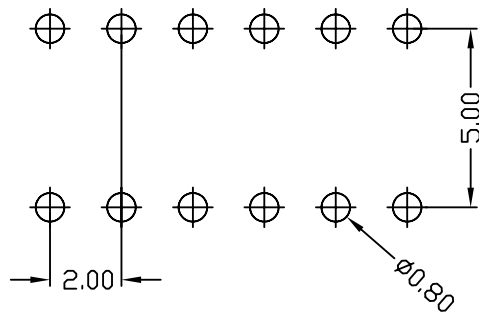
Operation Temperature: -40°C to +105°C



Ordering Information

F2000W-12 XX XX X 43 X 1

No. of Pins Per Row 2-40	Contact Plating Full of Gold	Semi-gold	Insulator Material	HEIGHT OF HOUSING 43/4.3mm	Packing A=PE Bag B=Tape&Reel C=Tube D=Tube+Cap E=Tray
A0=0.8U'	B0=0.8U'	BPA6T			
A1=1U'	B0=1.5U'	CPA9T			
A2=1.5U'	B0=2U'	DLCP			
A3=2U'	B0=3U'				
A4=3U'	B0=5U'				
A5=5U'	B0=10U'				
A6=10U'	B0=15U'				
A7=15U'	B0=20U'				
A8=20U'	B0=30U'				
A9=30U'					
	S1=Ordinary Tin Plated				
	S2=Matte Tin Plated				
	S3=Tin-plated High-temperature				



REV: A	APPROVE	CHECK	DRAWN
SHEET: 1/1	FENG	ZENG	LIJIAN

MATERIAL:	GENERAL TOLERANCE
UNIT: MM	X. ±0.30 X.* ±2°
SCALE: 3:1	X.X ±0.25 X.X* ±1°
SIZE: A4	X.XX ±0.15

YSTZ 东莞市轩盟电子科技有限公司
DONGGUAN YSTZ ELECTRONIC TECHNOLOGY CO.,LTD

PART NO: F2000W-12XXXXX43X1
TITLE: 2.00MM 双排母 塑高4.3 蜈蚣脚 U型