

ROHS REACH

日期版次	日期	变更内容	核 准
REVISION	DATE	DESCRIPTION	APPROVALBY

SPECIFICATIONS

备注 (Remark)

1. 材料 (MATERIAL)

胶芯: PA6T+30%G. F UL94V-0, 颜色: 黑色

Housing: PA6T+30%G. F UL94V-0, Color: Black

端子: 磷/青铜, 镍底30u"MIN, 表面镀金1u"MIN

Contact: Phosphor bronze, 1u"min Gold Plating Over All
30u"min Nickel Underplating Over All

2. 特性 (characteristics):

额定电流: 1 AMP

Rating Current: 1 AMP

接触阻抗: 20MΩ MAX

Contact Resistance: 20mΩ Max

绝缘阻抗: 1000MΩ MIN

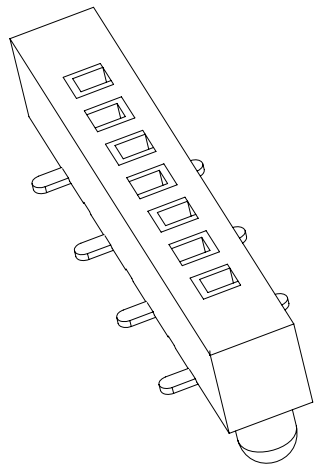
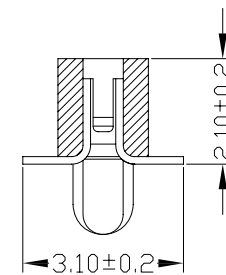
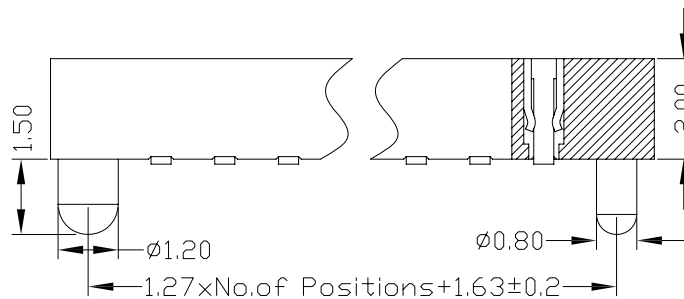
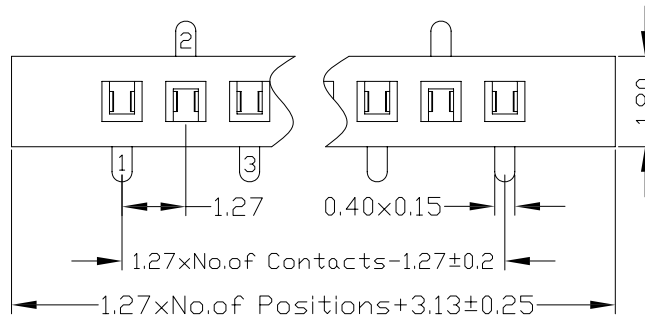
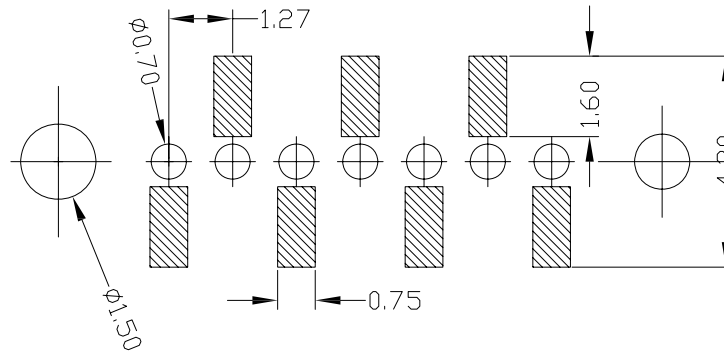
Insulation Resistance: 1000MΩ Min

耐电压: AC 500V

Withstand Voltage: 500V AC/DC

温度范围: -40°C to +105°C

Operation Temperature: -40°C to +105°C



Ordering Information

F1270VS-11 XX XX X 20 X 1

No. of Pins Per Row 2-50	Contact Plating Full of Gold A0=0.8U' A1=1U' A2=1.5U' A3=2U' A4=3U' A5=5U' A6=10U' A7=15U' A8=20U' A9=30U' S1=Ordinary Tin Plated S2=Matte Tin Plated S3=Tin-platde High-temperature	Semi-gold B0=0.8U' B0=1U' B0=1.5U' B0=2U' B0=3U' B0=5U' B0=10U' B0=15U' B0=20U' B0=30U'	Insulatot Material: B:PA6T C:PA9T D:LCP	HEIGHT OF HOUSING 20±2.0mm	Packing A=PE Bag B=Tape&Reel C=Tube D=Tube+Cap E=Tray
--------------------------	--	---	---	----------------------------	---

MATERIAL:	GENERAL TOLERANCE
UNIT: MM	X. ±0.30 X.* ±2°
SCALE: 3:1	X.X ±0.25 X.X* ±1°
SIZE: A4	X.XX ±0.15

YSTZ 东莞市轩盟电子科技有限公司
DONGGUAN YSTZ ELECTRONIC TECHNOLOGY CO.,LTD

PART NO: F1270VS-11XXXXX20X1

TITLE: 1.27MM 排母 塑高2.0 SMT 正脚位

REV: A	APPROVE	CHECK	DRAWN
SHEET:1/1	FENG	ZENG	LIJIAN