

ROHS REACH

日期版次 REVISION	日期 DATE	变更内容 DESCRIPTION	核 准 APPROVAL

SPECIFICATIONS

备注 (Remark)

1. 材料 (MATERIAL)

胶芯: PA6T+30%G.F UL94V-0, 颜色: 黑色

Housing: PA6T+30%G.F UL94V-0, Color: Black

端子: 磷/青铜, 镍底30u"MIN, 表面镀金1u"MIN

Contact: Phosphor bronze, 1u"min Gold Plating Over All
30u"min Nickel Underplating Over All

2. 特性 (characteristics):

额定电流: 1 AMP

Rating Current: 1 AMP

接触阻抗: 20MΩ MAX

Contact Resistance: 20mΩ Max

绝缘阻抗: 1000MΩ MIN

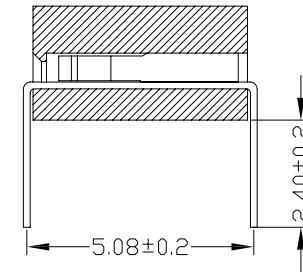
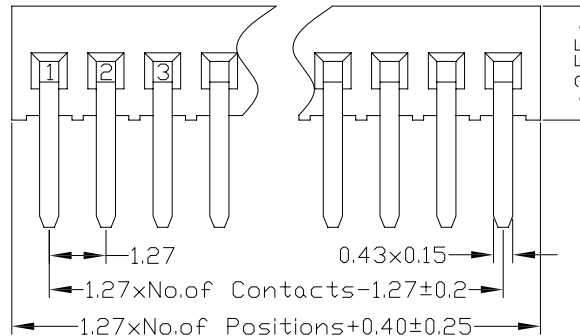
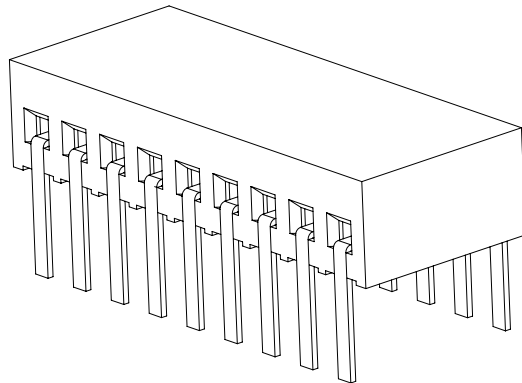
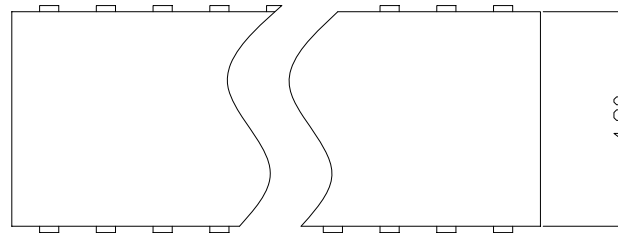
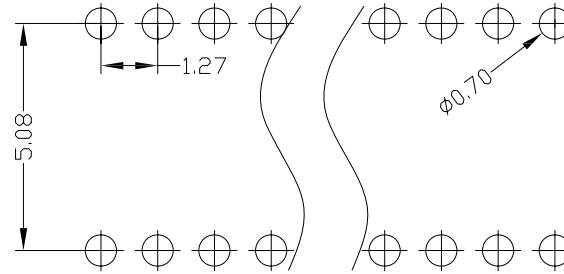
Insulation Resistance: 1000MΩ Min

耐电压: AC 500V

Withstand Voltage: 500V AC/DC

温度范围: -40°C to +105°C

Operation Temperature: -40°C to +105°C



Ordering Information

F1270B-11 XX XX X 25 X 1

No. of Pins Per Row 2-50	Contact Plating Full of Gold A0=0.8U" A1=1U" A2=1.5U" A3=2U" A4=3U" A5=5U" A6=10U" A7=15U" A8=20U" A9=30U" S1=Ordinary Tin Plated S2=Matte Tin Plated S3=Tin-platde High-temperature	Semi-gold B0=0.8U" B0=1.5U" B0=2U" B0=3U" B0=5U" B0=10U" B0=15U" B0=20U" B0=30U"	Insulatot Material: B:PA6T C:PA9T D:LCF	HEIGHT OF HOUSING 25±2.55mm	Packing A=PE Bag B=Tape&Reel C=Tube D=Tube+Cap E=Tray
--------------------------------	--	---	--	--------------------------------	--

MATERIAL:	GENERAL TOLERANCE	
UNIT: MM	X. ±0.30	X.* ±2°
SCALE: 3:1	X.X ±0.25	X.X* ±1°
SIZE: A4	X.XX ±0.15	

YSTZ 东莞市轩盟电子科技有限公司
DONGGUAN YSTZ ELECTRONIC TECHNOLOGY CO.,LTD

PART NO: F1270B-11XXXXX25X1
TITLE: 1.27MM 排母 塑高2.55 90°U型 侧插

REV: A	APPROVE	CHECK	DRAWN
SHEET:1/1	FENG	ZENG	LIJIAN